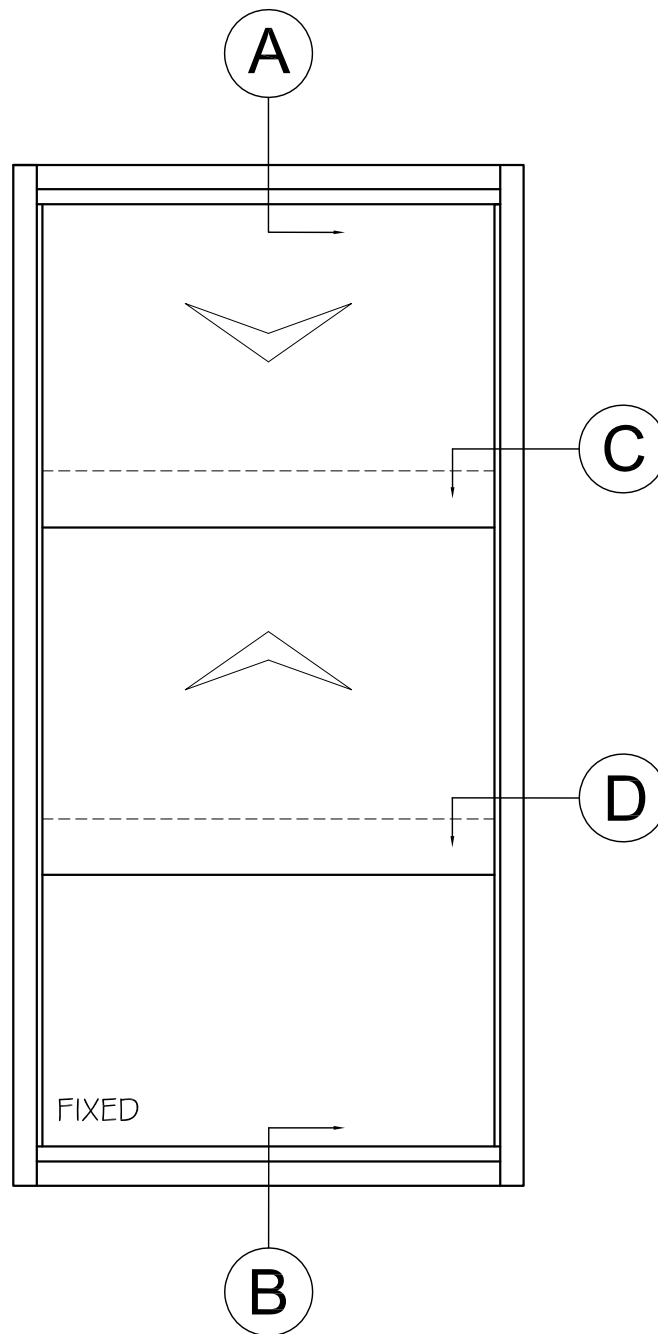


# 3 Panel Aluminium Sashless Window Bottom Fixed Fixed to Capral 400 Series Frame



Typical Elevation - Drawing Reference

Scale 1:2

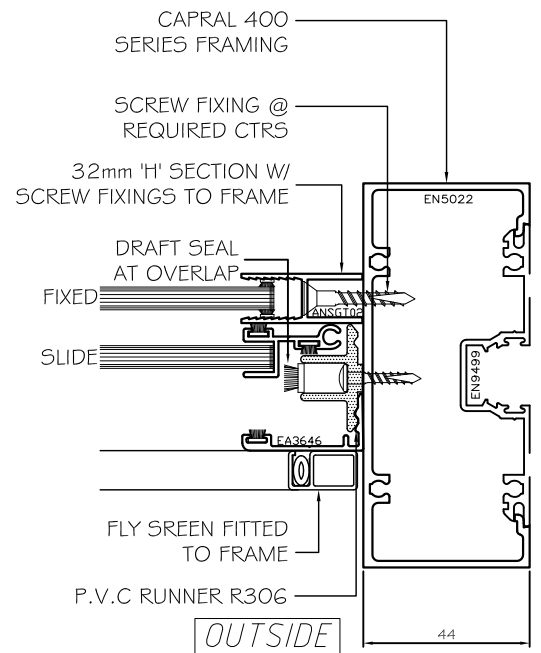
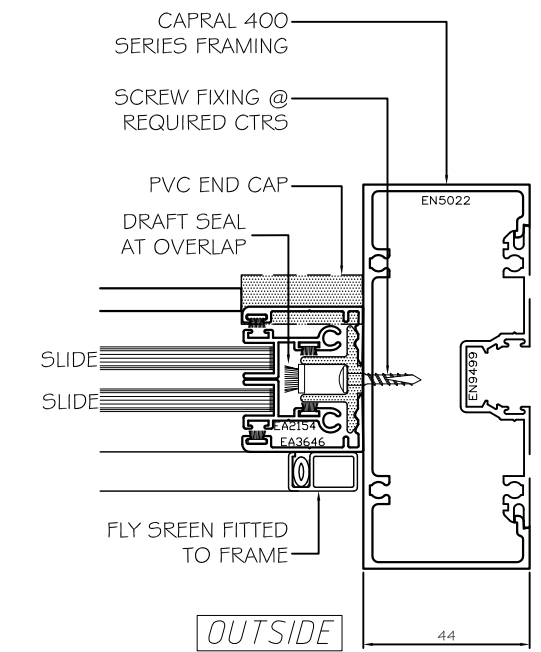
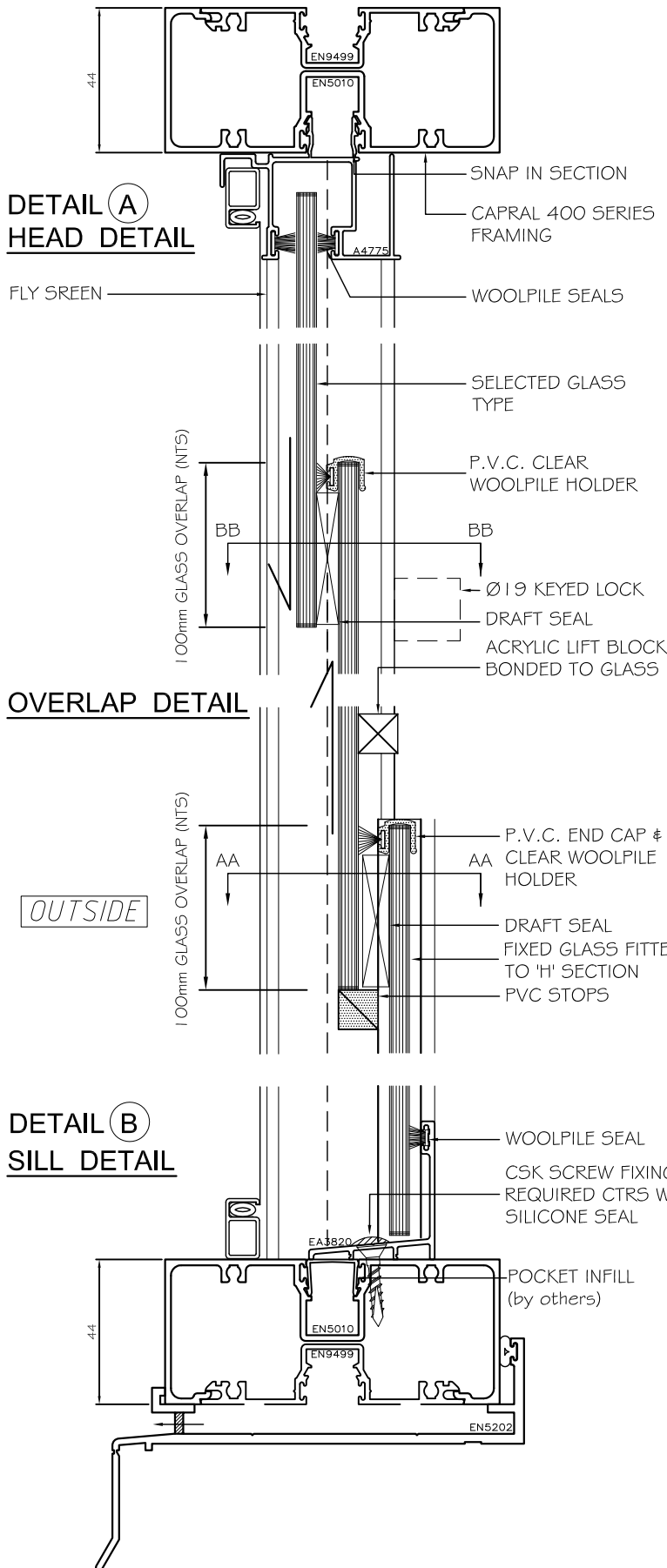


# 3 Panel Aluminium Sashless Window Bottom Fixed Fixed to Capral 400 Series Frame



## Head, Sill and Jamb

Scale 1 : 2



NOTE: POCKET FILLER REQUIRED AT SILL