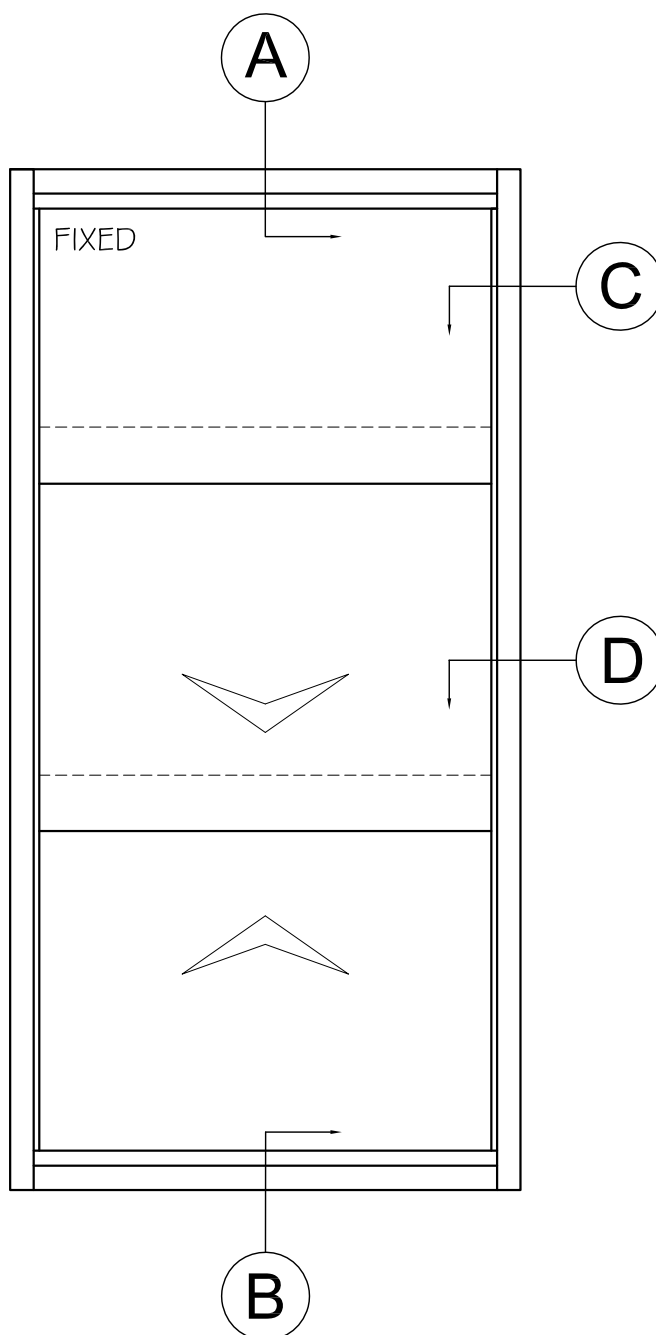


# 3 Panel Aluminium Sashless Window Top Fixed Fixed to Capral 400 Series Frame

## Typical Elevation - Drawing Reference

Scale N.T.S



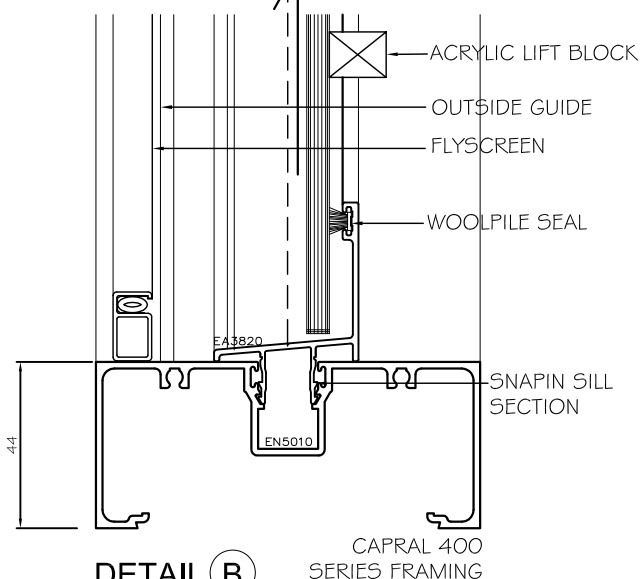
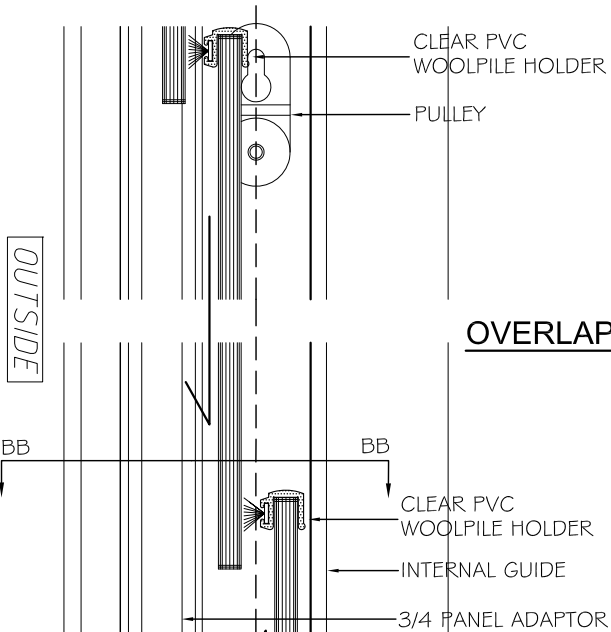
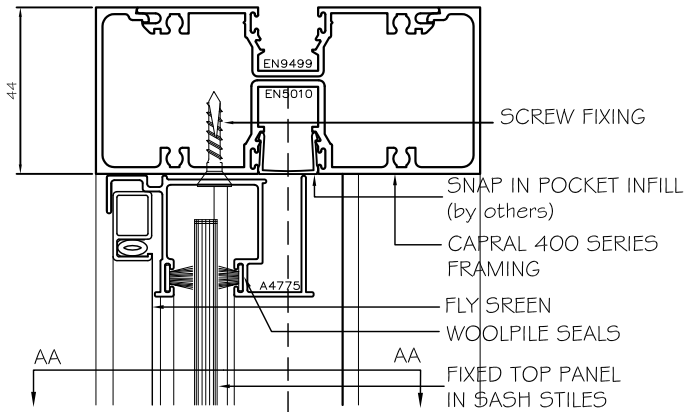
# 3 Panel Aluminium Sashless Window Top Fixed Fixed to Capral 400 Series Frame



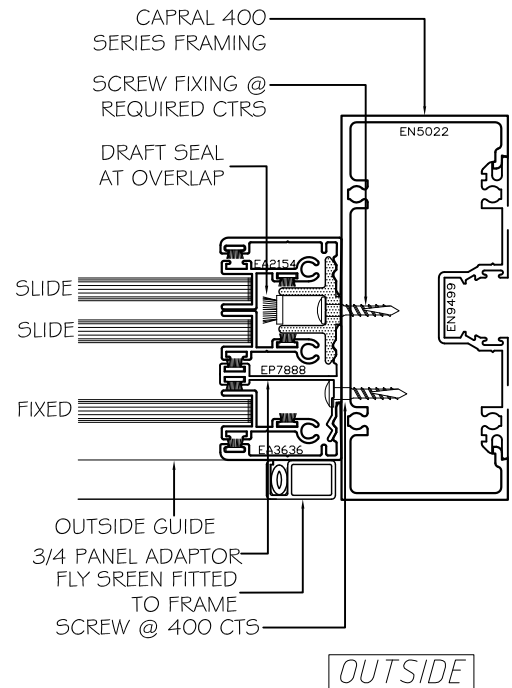
## Head, Sill and Jamb

Scale 1:2

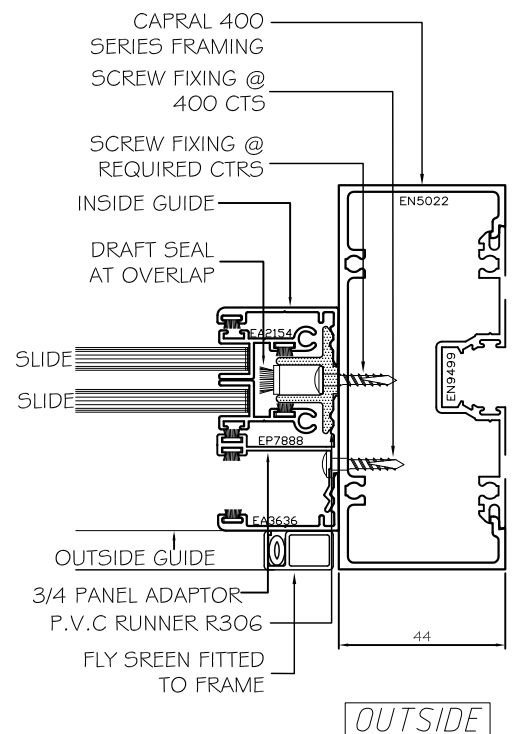
**DETAIL (A)**  
**HEAD DETAIL**



**DETAIL (B)**  
**SILL DETAIL**



**DETAIL (C)**  
**OVERLAP DETAIL JAMB DETAIL A-A**



**DETAIL (D)**  
**JAMB DETAIL B-B**

NOTE: POCKET FILLER REQUIRED AT HEAD