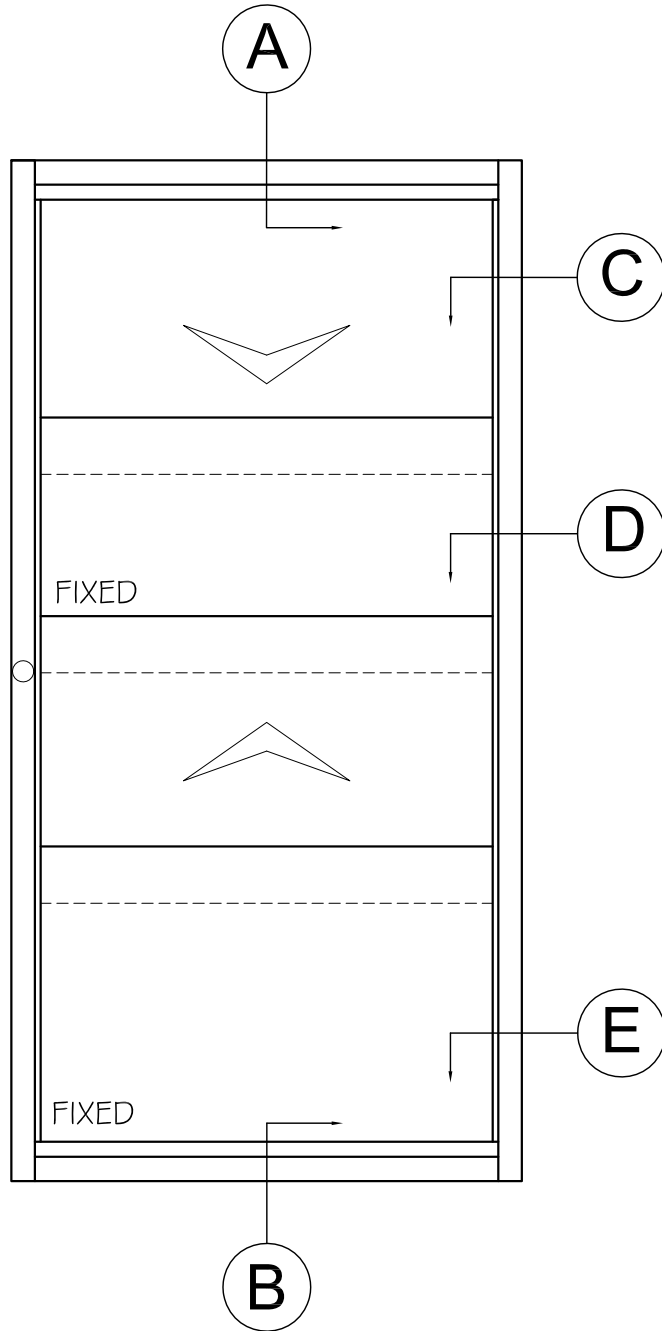


Austview Sashless 4 Panel Centre and Bottom Fixed Fixed to Capral 400 Series Frame



Typical Elevation - Drawing Reference

Scale N.T.S



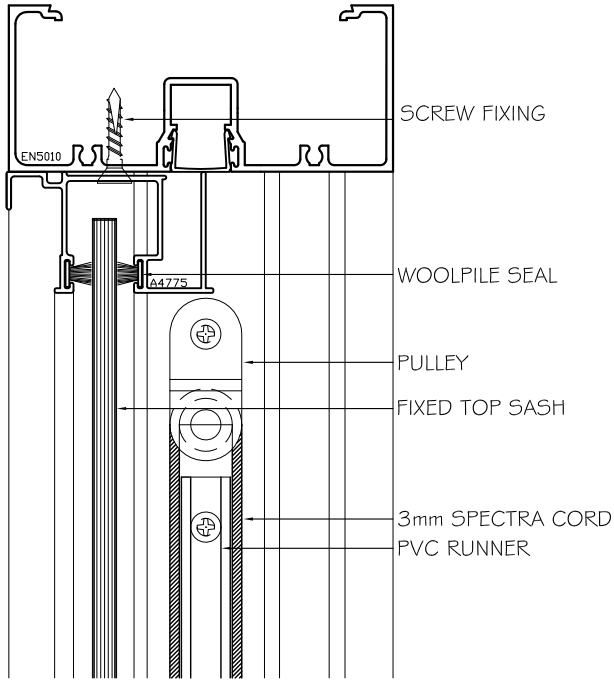
Austview Sashless 4 Panel Centre and Bottom Fixed Fixed to Capral 400 Series Frame



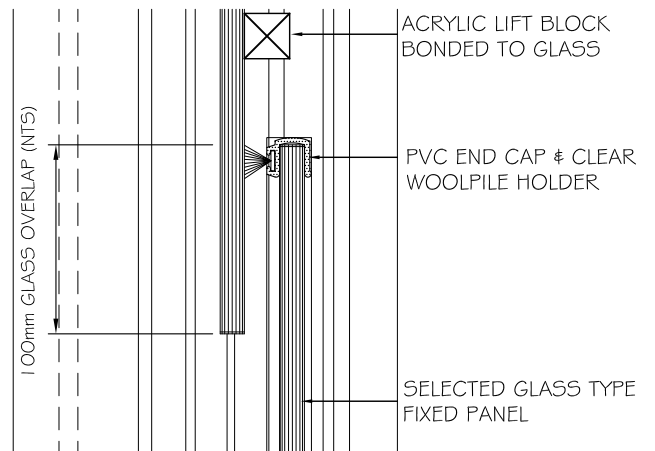
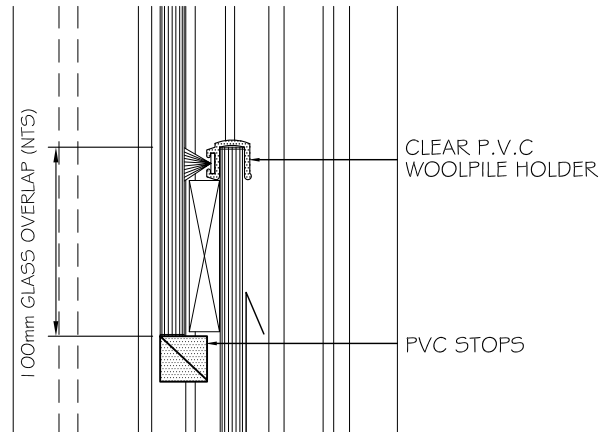
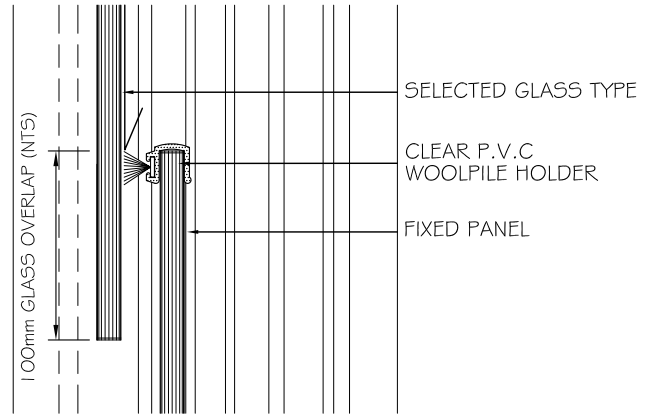
Head, Sill and Overlap. Detail A and B

Scale 1 : 2

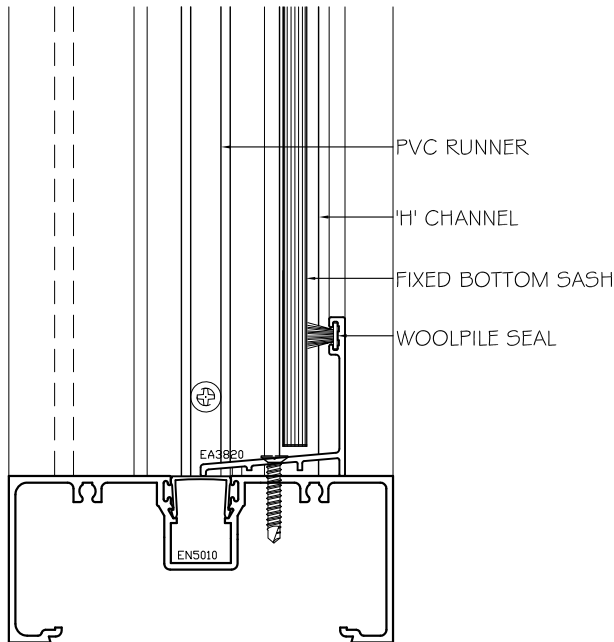
A HEAD DETAIL



LAP DETAILS



OUTSIDE



B SILL DETAIL

Austview Sashless 4 Panel Centre and Bottom Fixed Fixed to Capral 400 Series Frame

Jamb. Detail C, D and E

Scale 1:2

