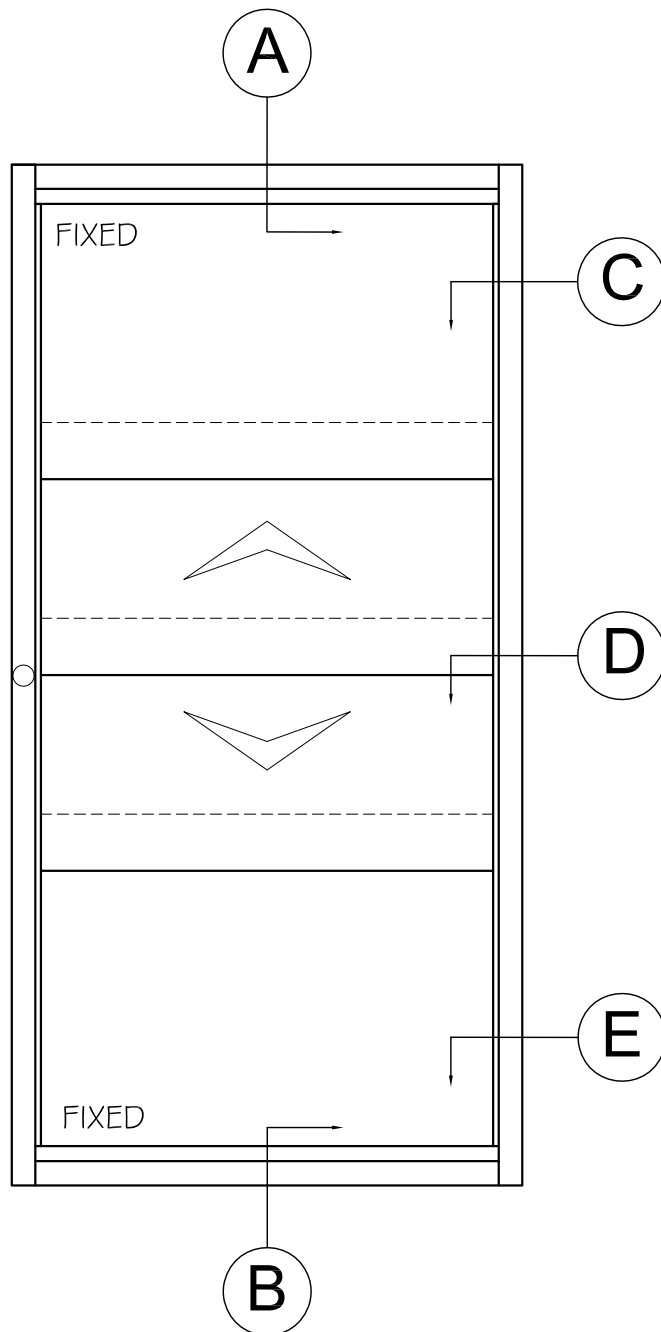


# Austview Sashless 4 Panel Top and Bottom Fixed Fixed to Capral 400 Series Frame



## Typical Elevation - Drawing Reference

Scale N.T.S

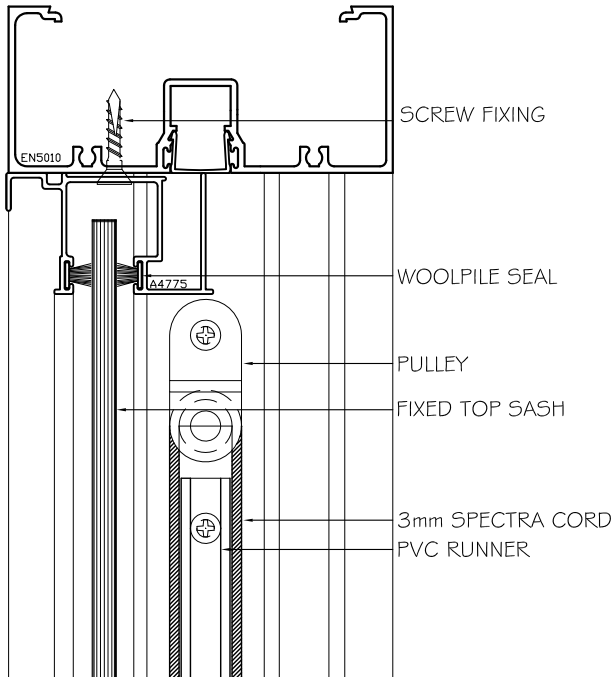


# Austview Sashless 4 Panel Top and Bottom Fixed Fixed to Capral 400 Series Frame

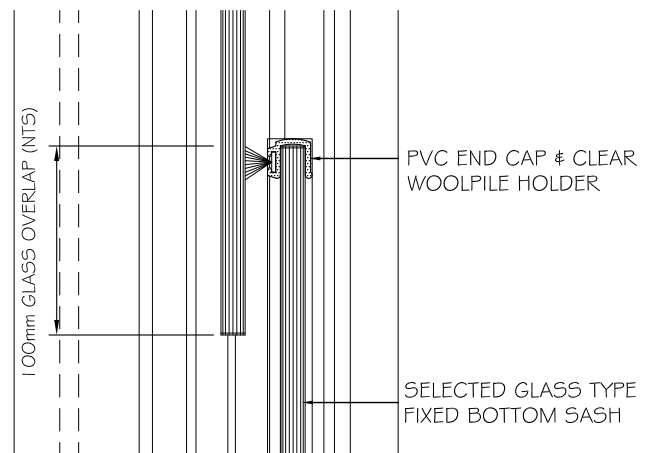
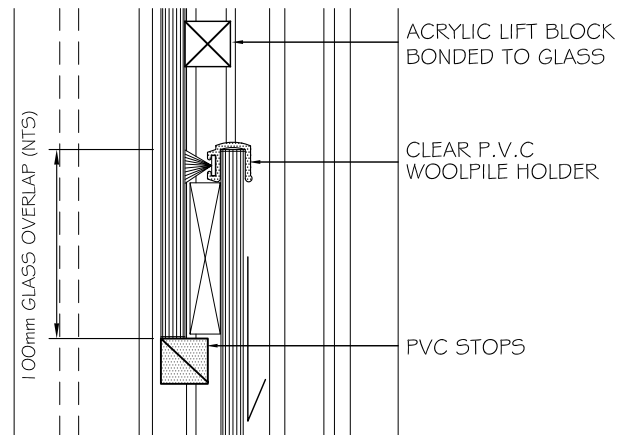
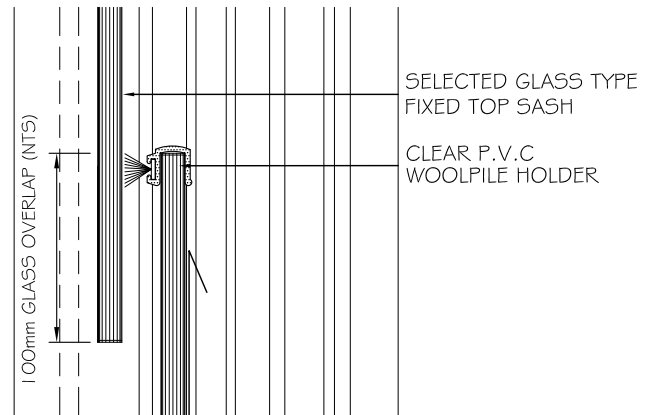
## Head, Sill and and Overlap. Detail A and B

Scale 1:2

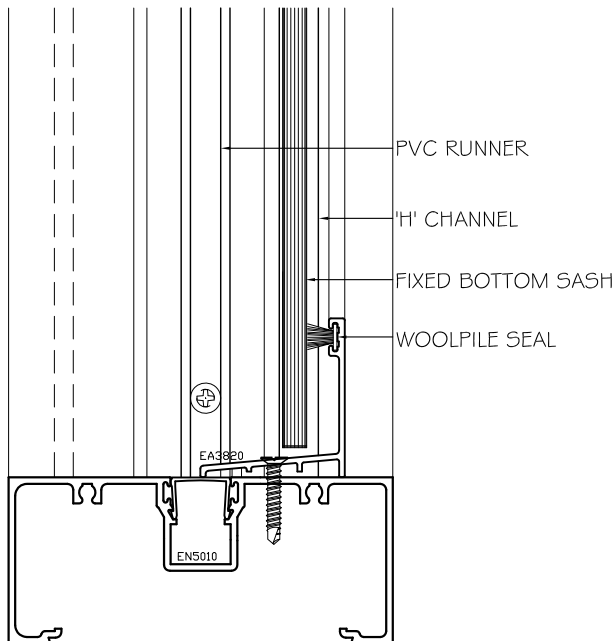
### A HEAD DETAIL



### LAP DETAILS



OUTSIDE



### B SILL DETAIL

# Austview Sashless 4 Panel Top and Bottom Fixed Fixed to Capral 400 Series Frame



## Jamb. Detail C. D and E

Scale 1:2

