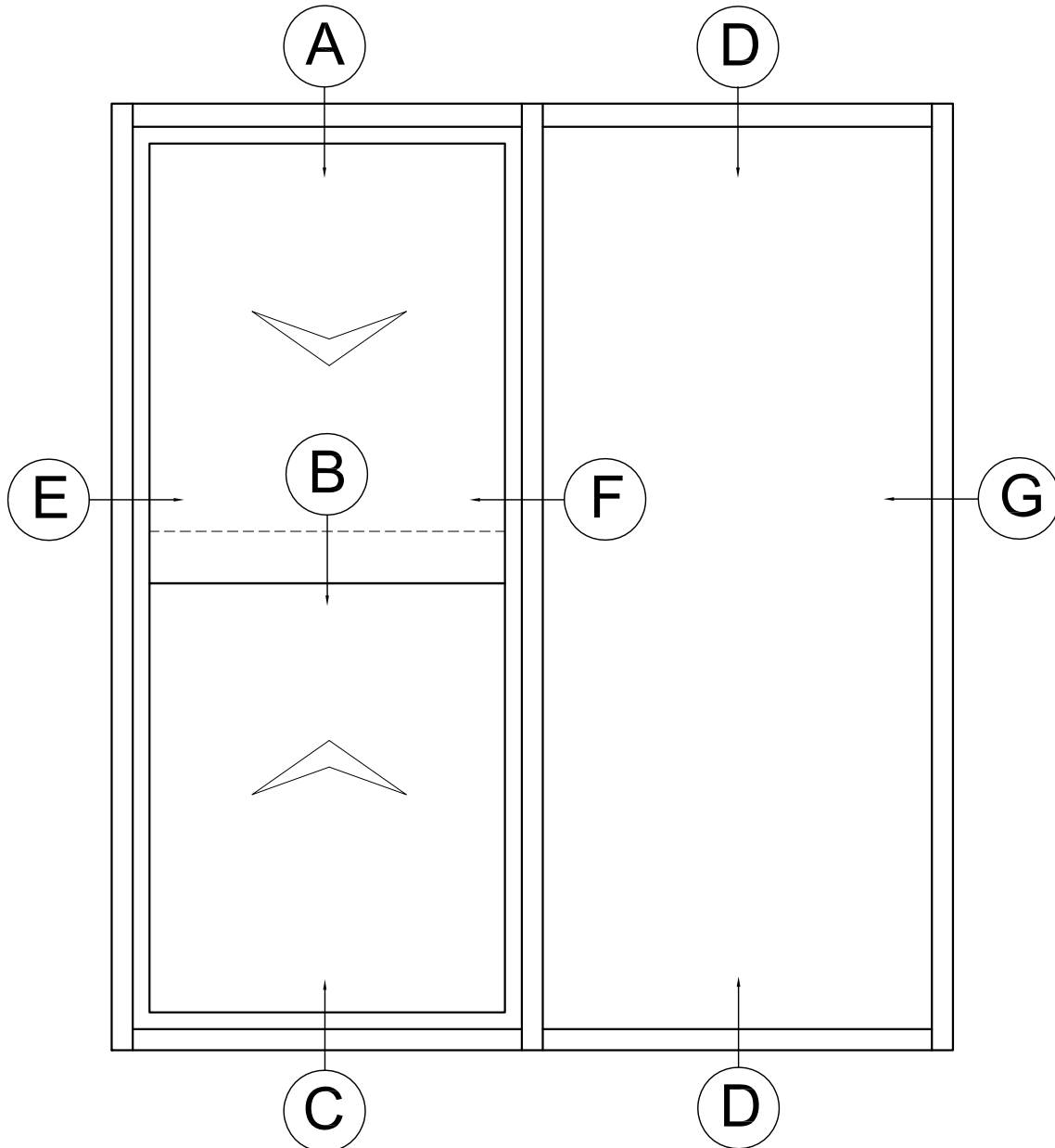


Double Glazed Counter Balanced Window
Fixing to Lidco 412 System

Typical Elevation - Drawing Reference

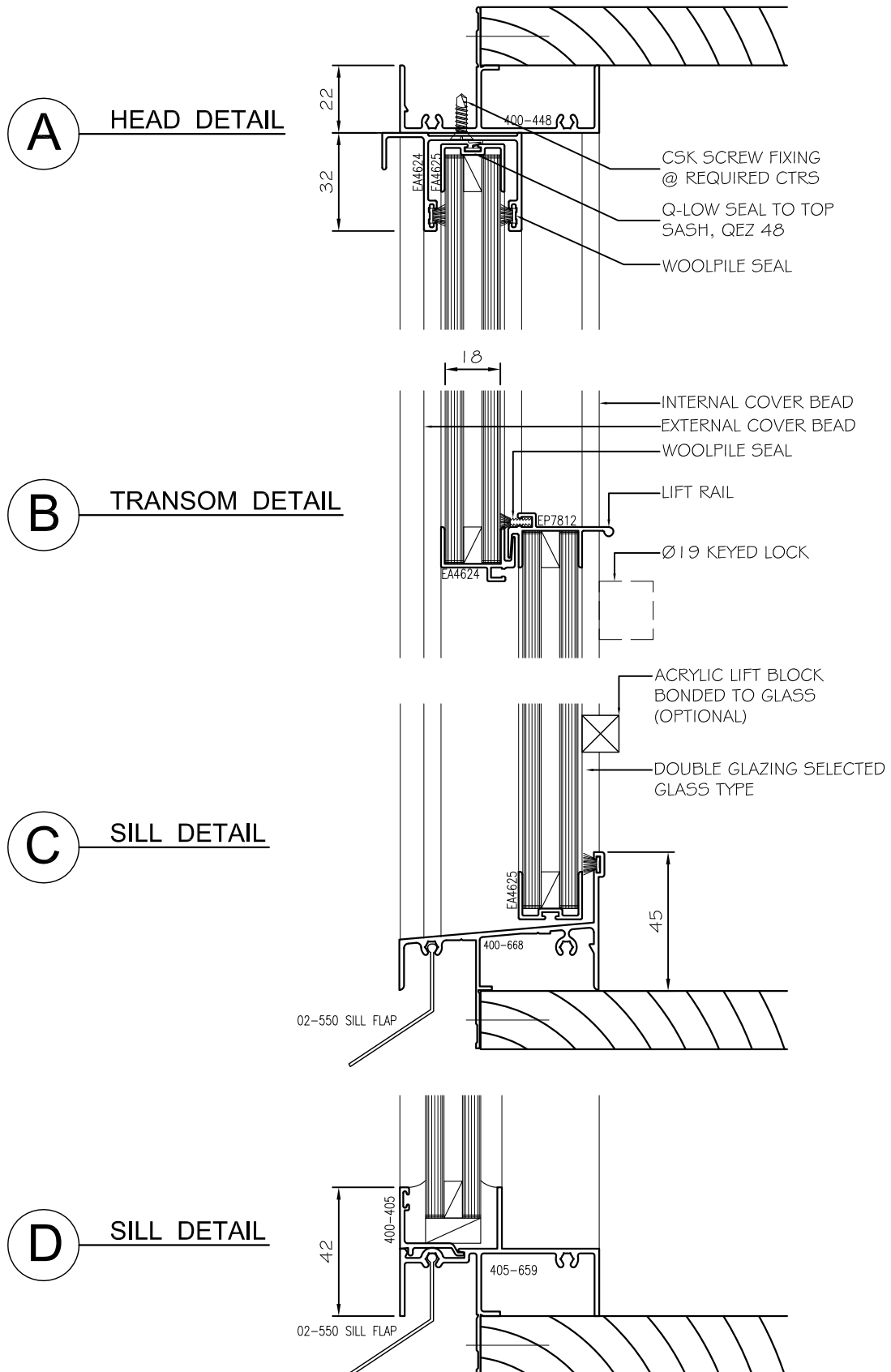
Scale N.T.S



Double Glazed Counter Balanced Window Fixing to Lidco 412 System

Details A, B, C and D. Head, Sill and Transom Details

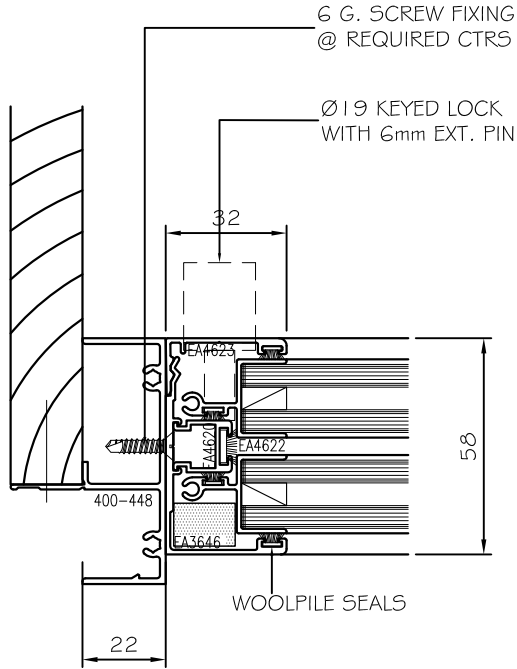
Scale 1:2



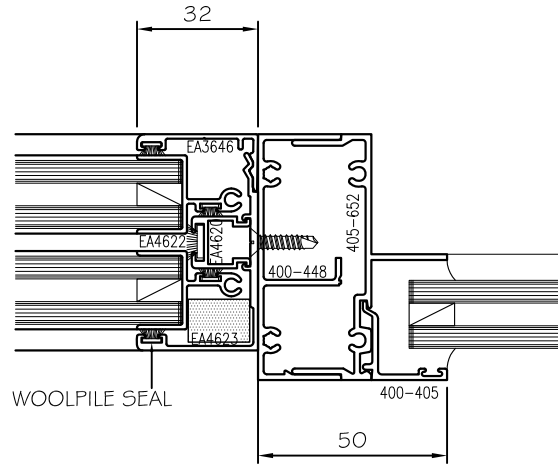
Double Glazed Counter Balanced Window Fixing to Lidco 412 System

Details E, F and G. Jamb and Mullion Details

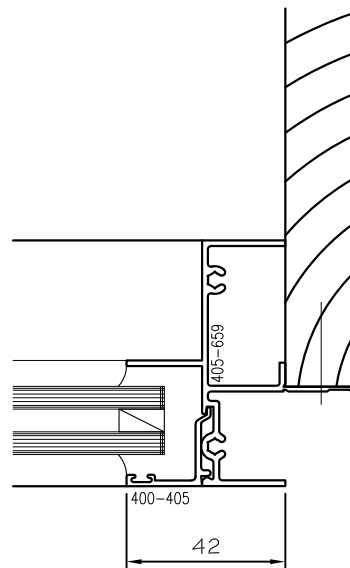
Scale 1:2



E JAMB DETAIL



F MULLION DETAIL



G JAMB DETAIL