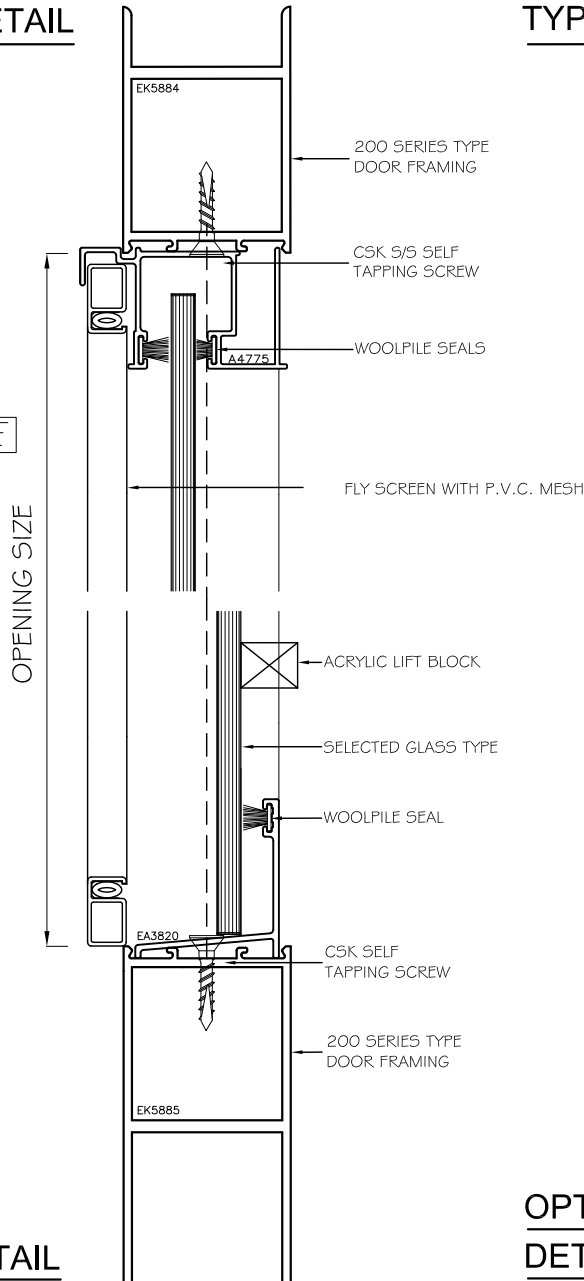


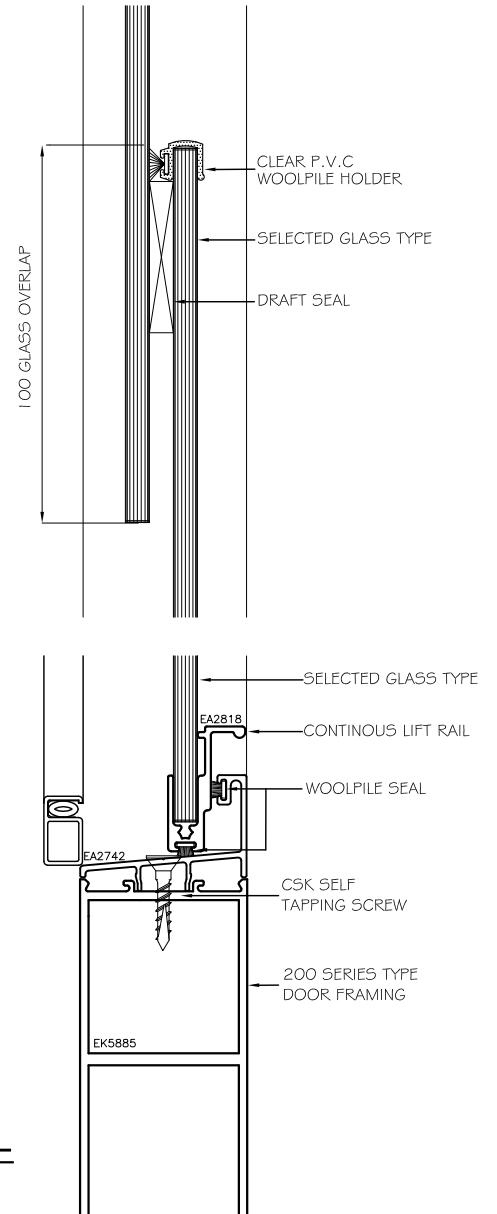
Top Rail, Bottom Rail and Stile

Scale 1 : 2

HEAD DETAIL



TYPICAL LAP DETAIL



SILL DETAIL

OPTIONAL SILL DETAIL

STILE DETAIL

