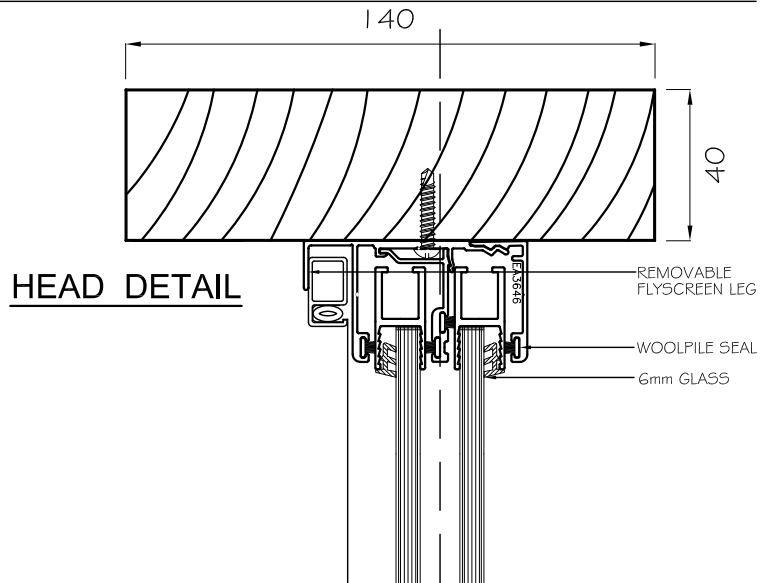


# Austview Sashless 2 Panel Horizontal Slider Fixed to Timber Frame with Aluminium Guides

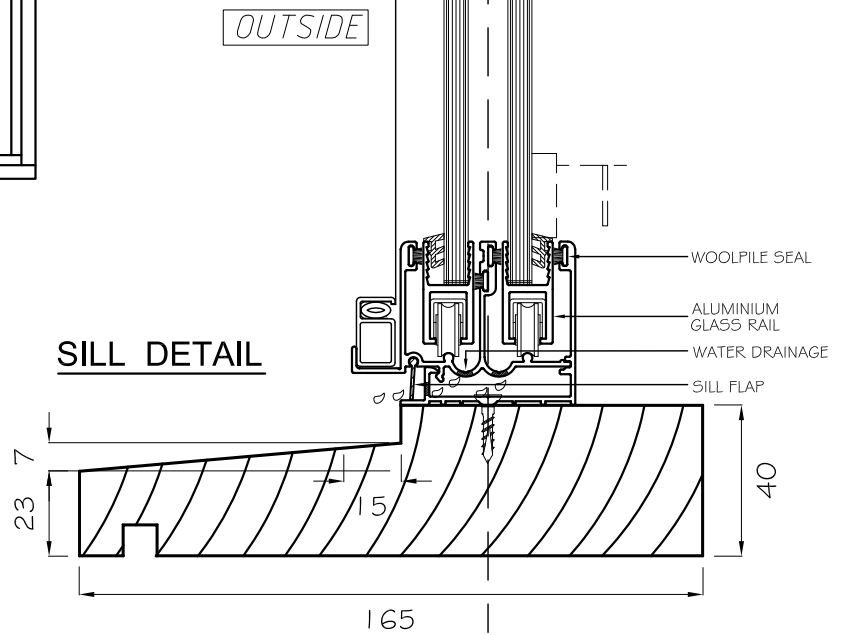
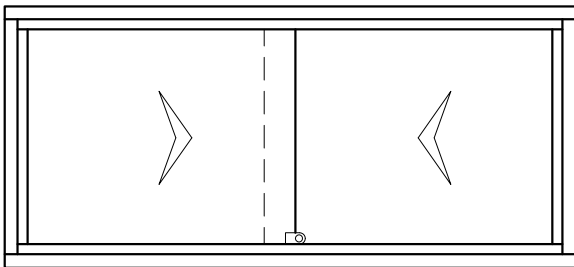


## Head, Sill and Jamb

Scale 1:2



### TYPICAL ELEVATION (internal)



### JAMB DETAIL

