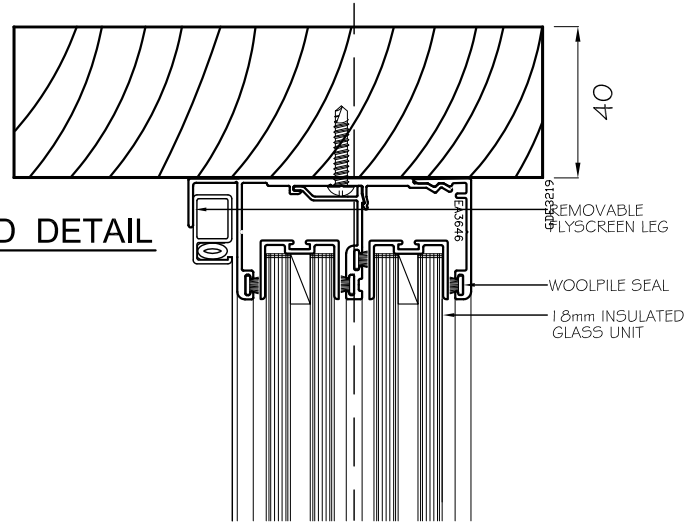


# Austview Sashless Double Glazed Horizontal Slider Fixed to Timber Frame with Aluminium Guides

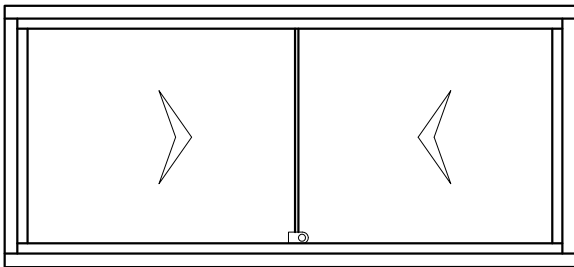
## Head, Sill and Jamb

Scale 1:2

**HEAD DETAIL**

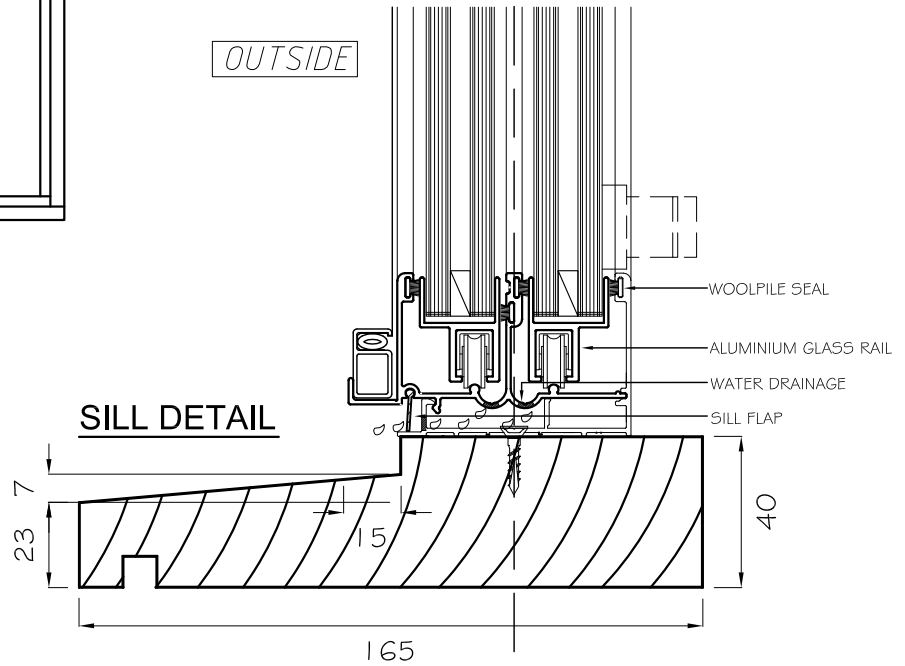


**TYPICAL ELEVATION (internal)**



OUTSIDE

**SILL DETAIL**



**JAMB DETAIL**

