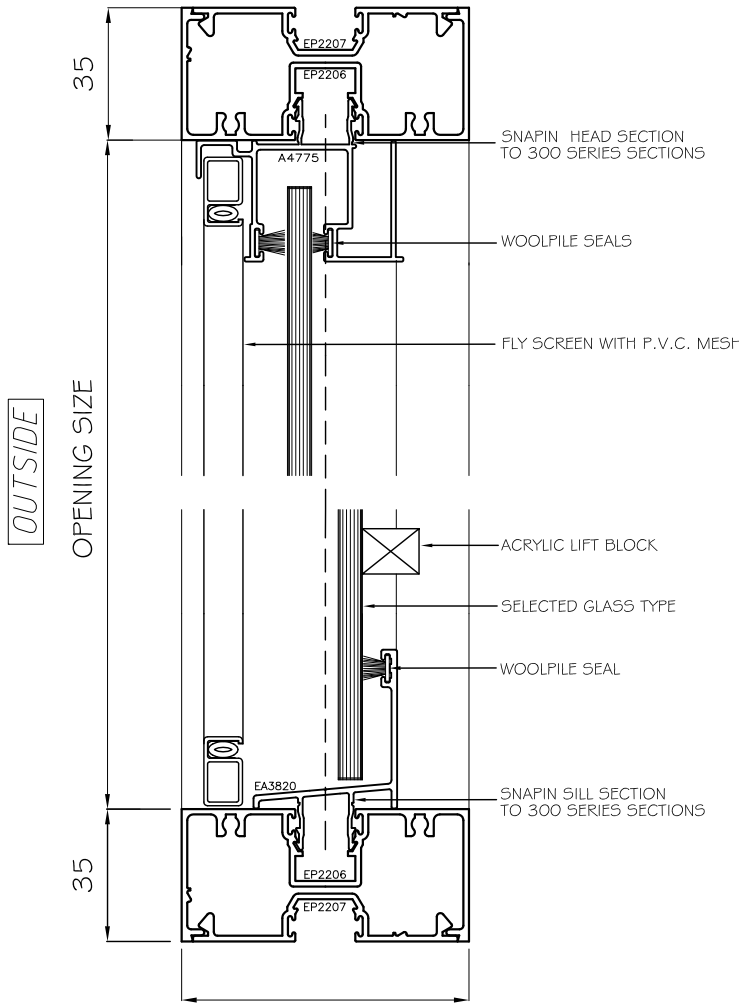
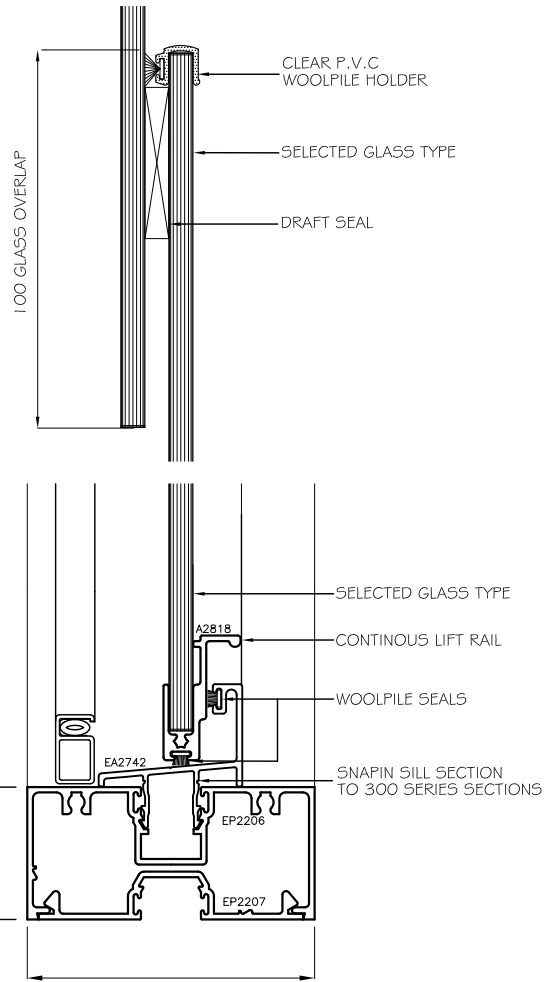


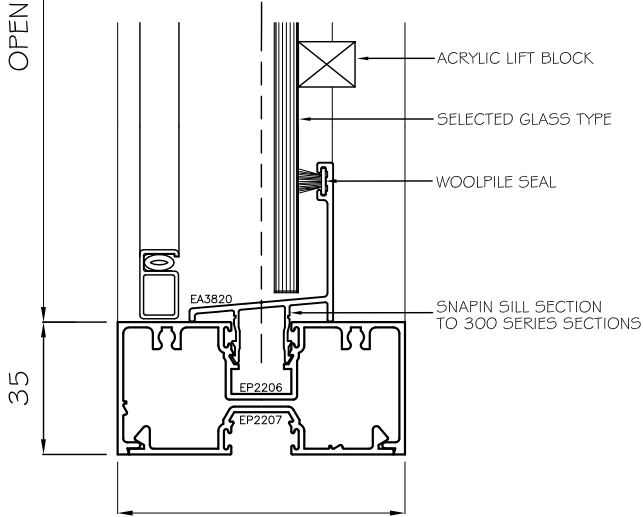
### HEAD DETAIL



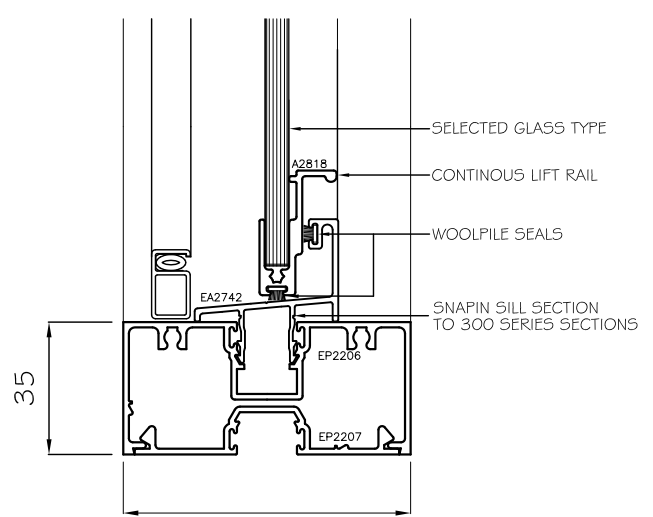
### TYPICAL LAP DETAIL



### SILL DETAIL



### OPTIONAL SILL DETAIL



### JAMB DETAIL

