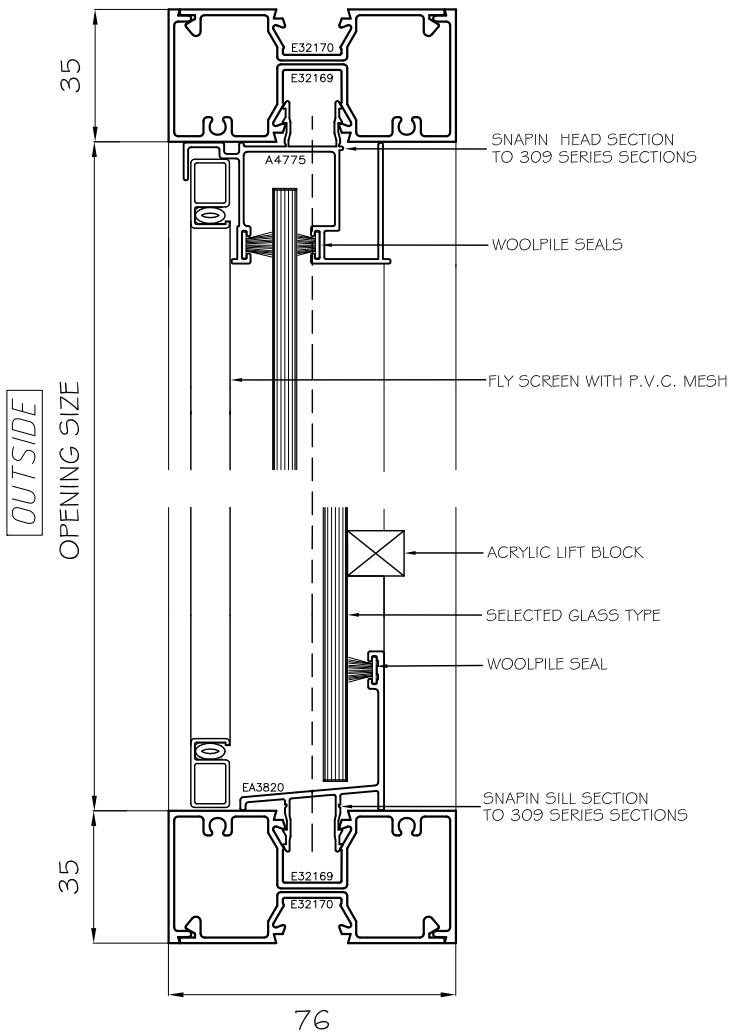
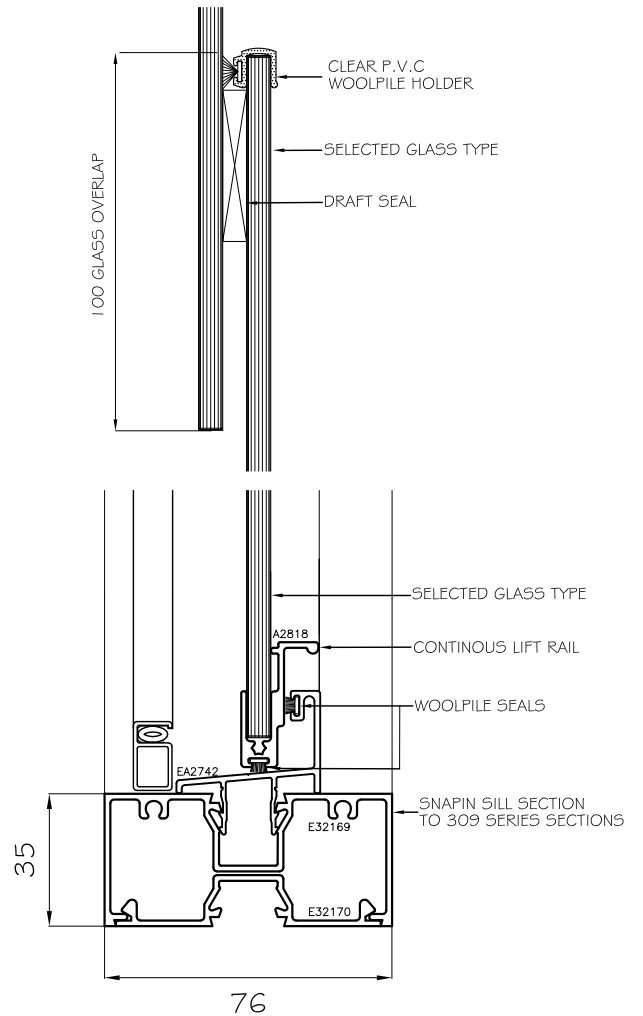


HEAD DETAIL

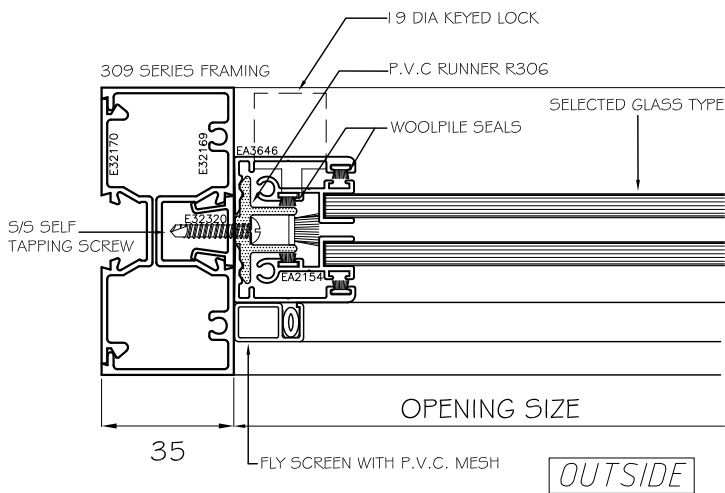


SILL DETAIL

TYPICAL LAP DETAIL



OPTIONAL SILL DETAIL



JAMB DETAIL