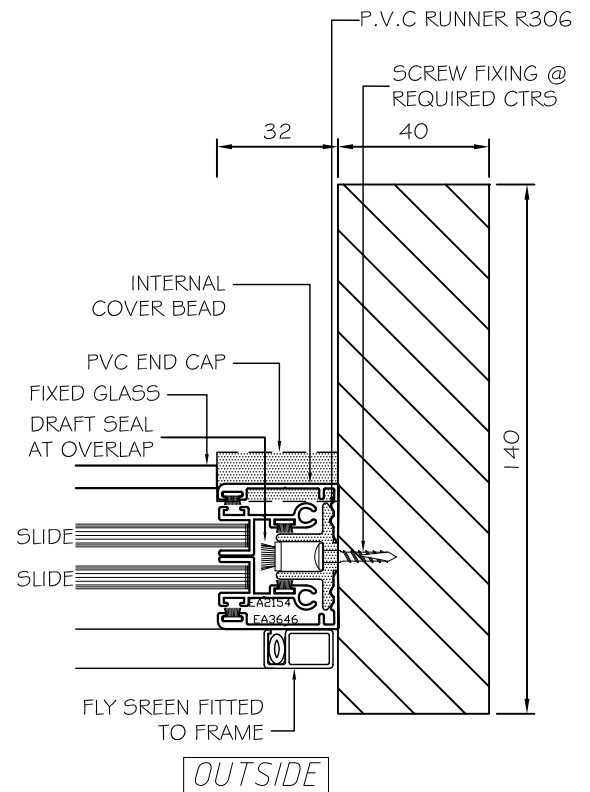
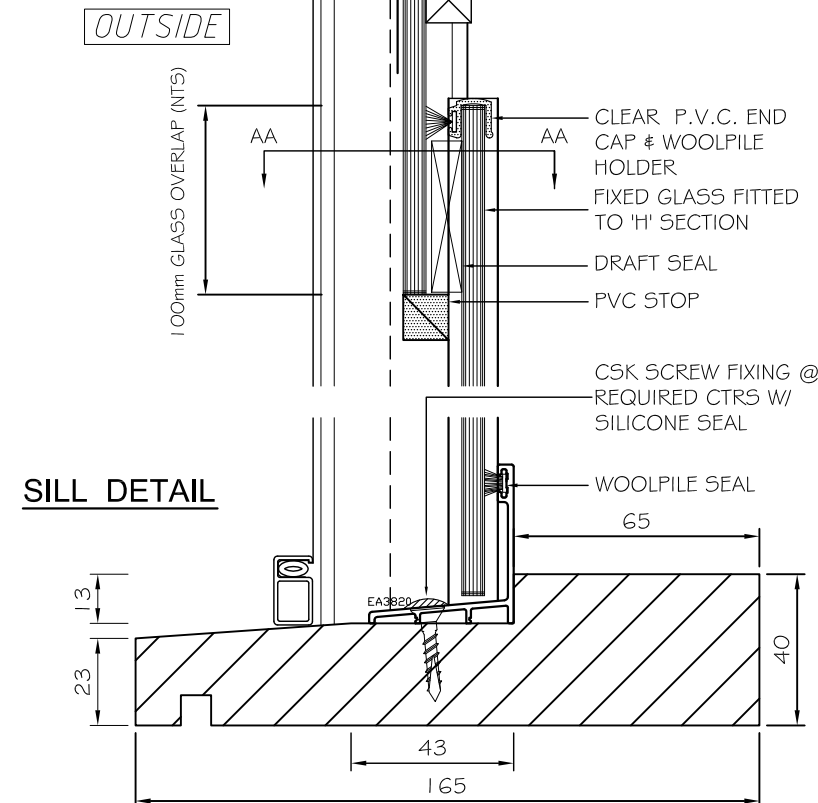
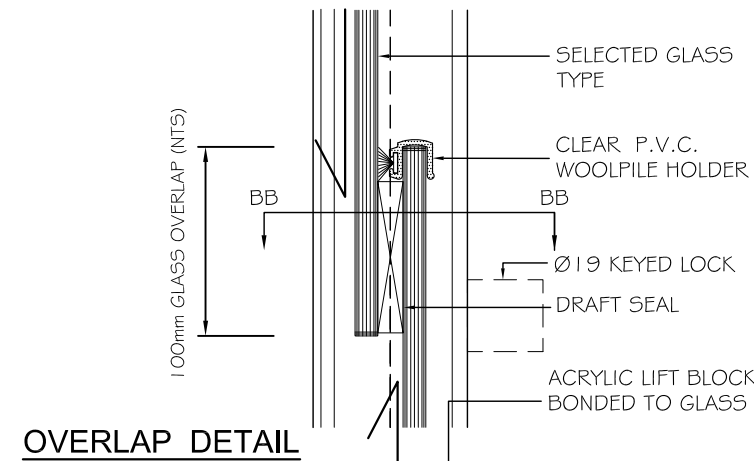
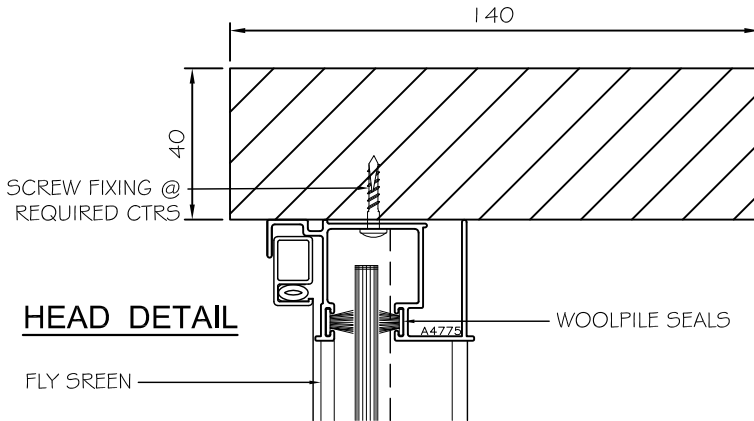


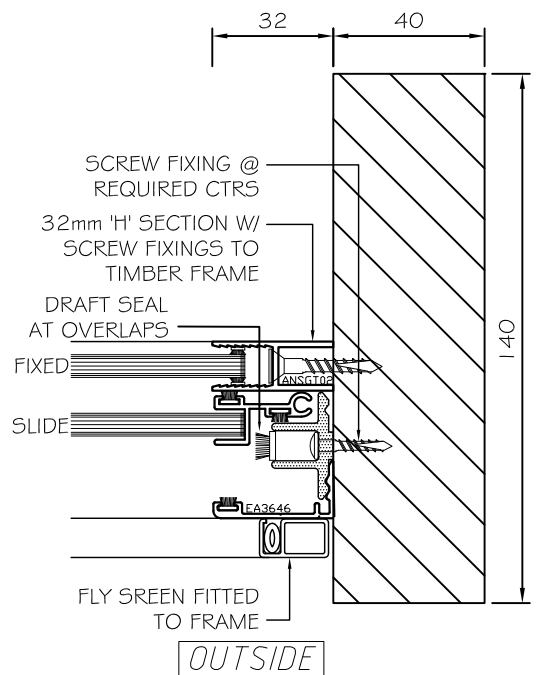
3 Panel Aluminium Sashless Window Bottom Fixed Fixed to Timber Frame

Head, Sill and Jamb

Scale 1:2



JAMB DETAIL B-B



JAMB DETAIL A-A