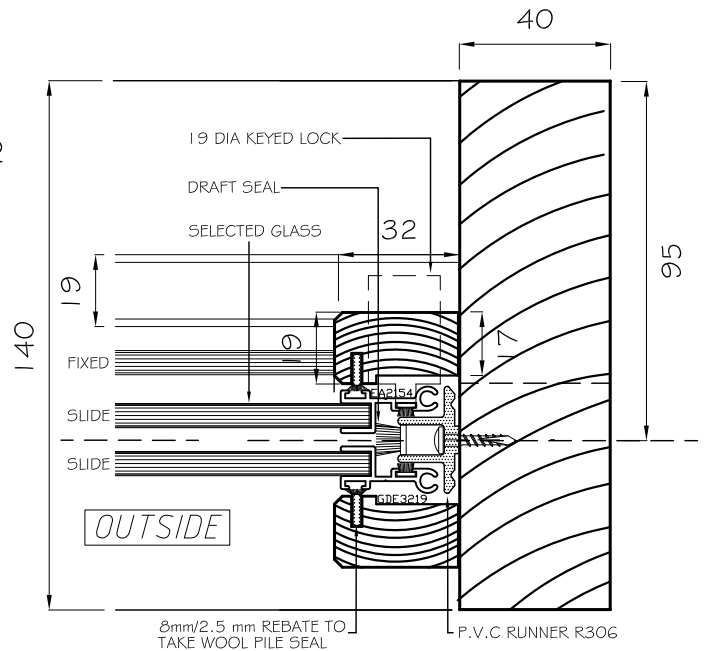
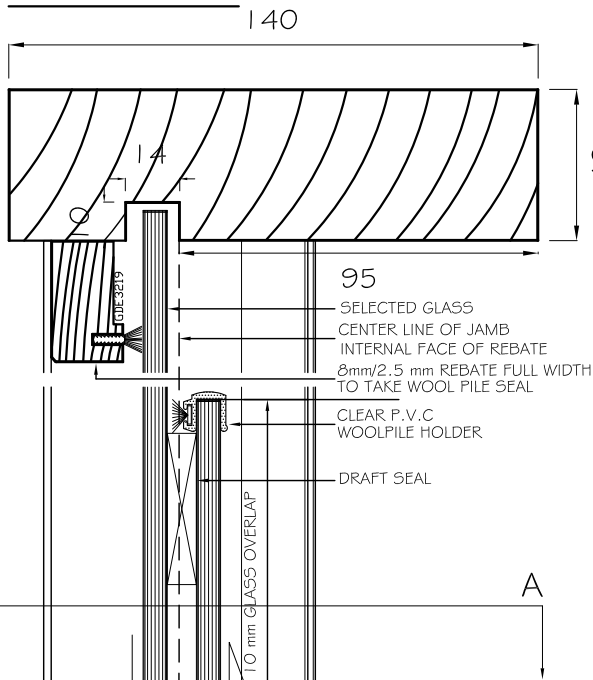


3 Panel Sashless Window Bottom Fixed Fixed to Timber Frame (Timber Guides)

Head, Sill and Jamb

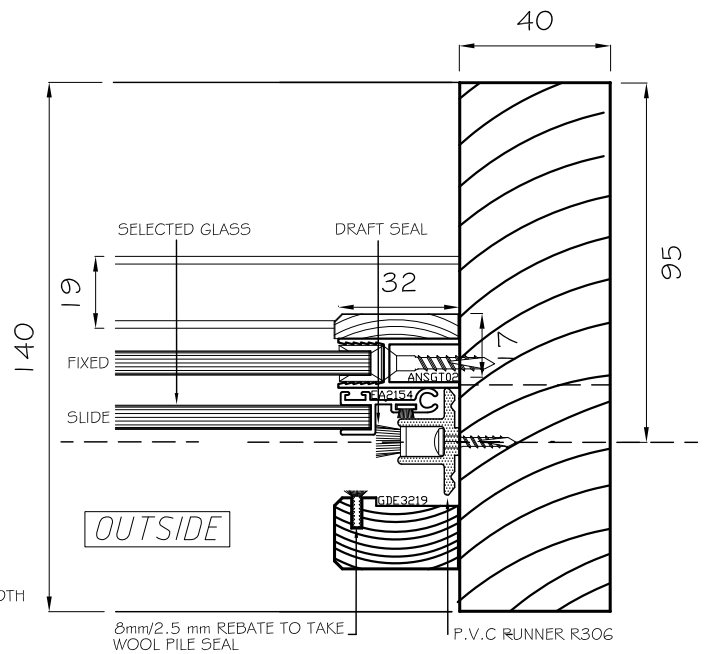
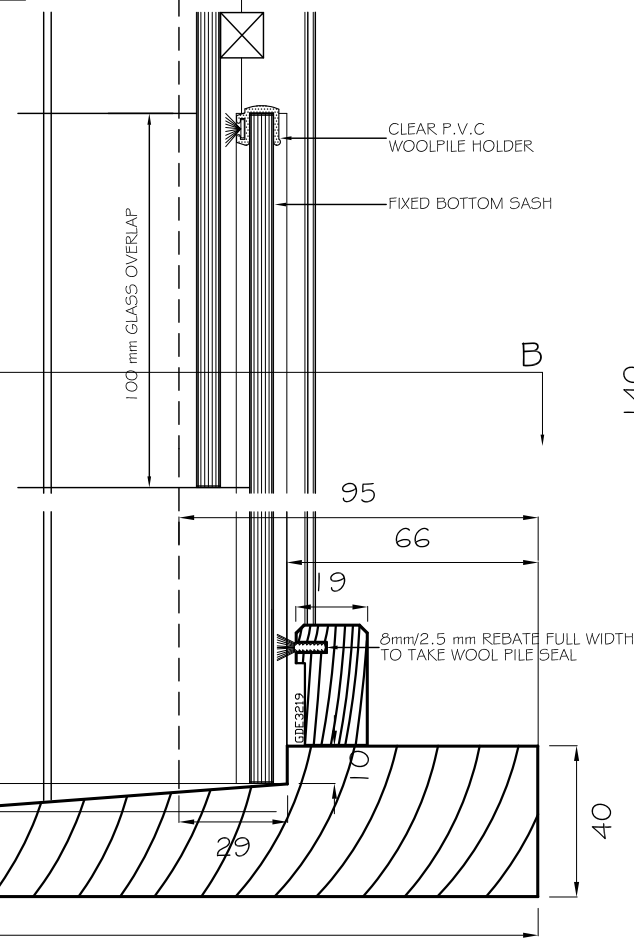
Scale 1:2

HEAD DETAIL



JAMB DETAIL A-A

OUTSIDE



JAMB DETAIL B-B

SILL DETAIL