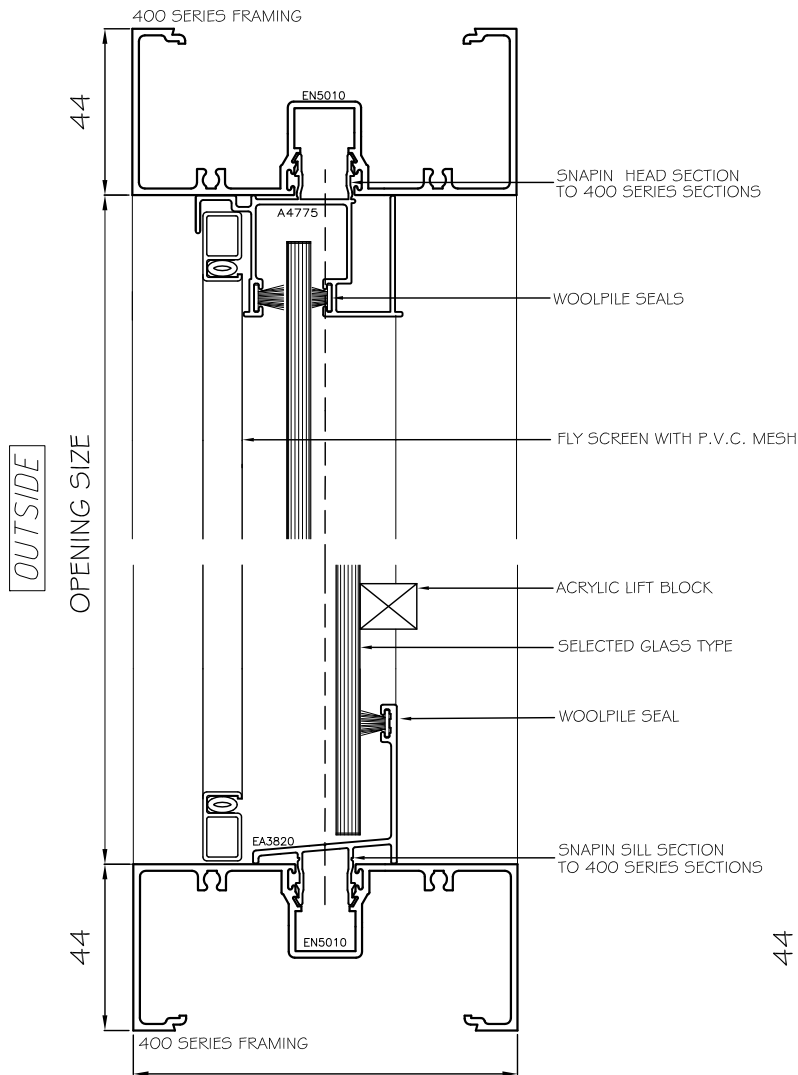


## Head, Sill and Jamb

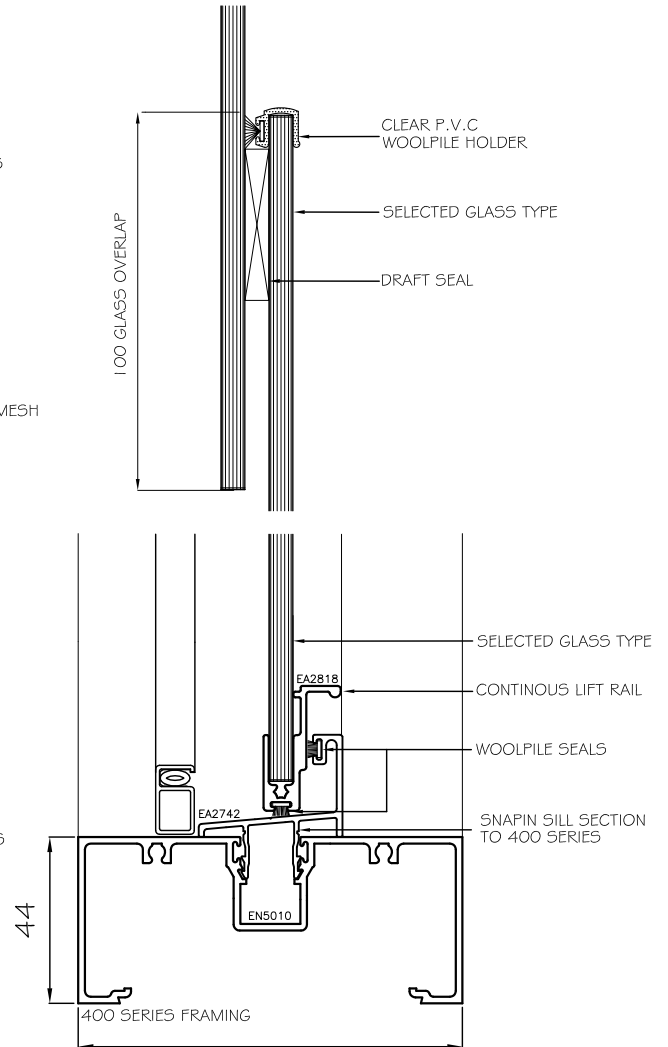
Scale 1:2

### HEAD DETAIL

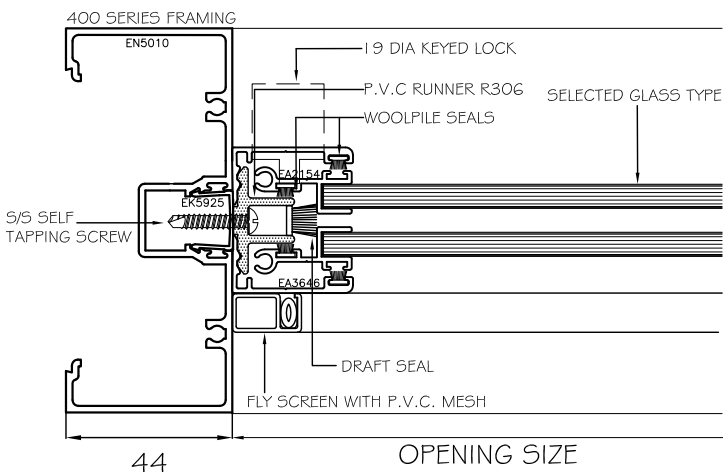


### SILL DETAIL

### TYPICAL LAP DETAIL



### OPTIONAL SILL DETAIL



### JAMB DETAIL