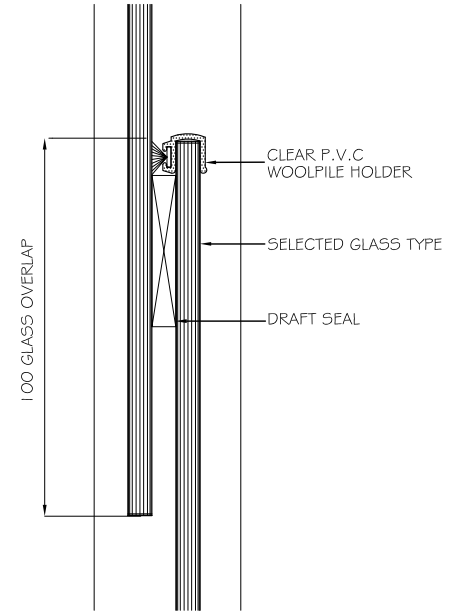
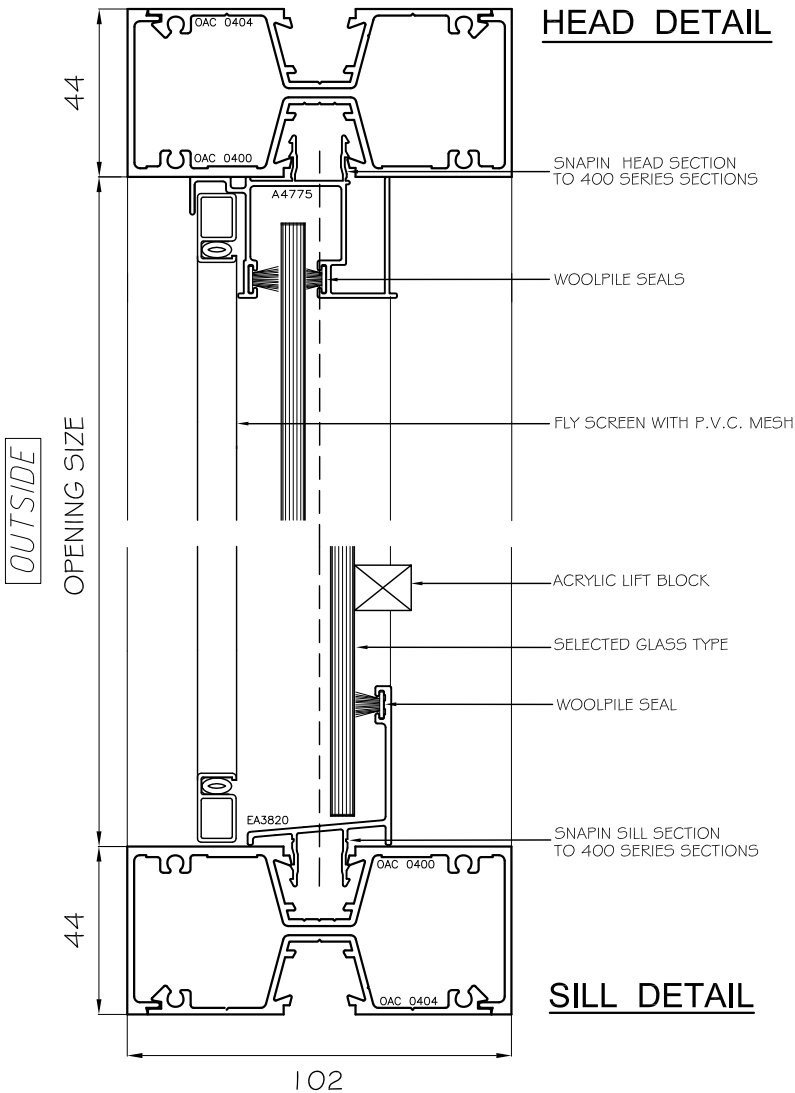
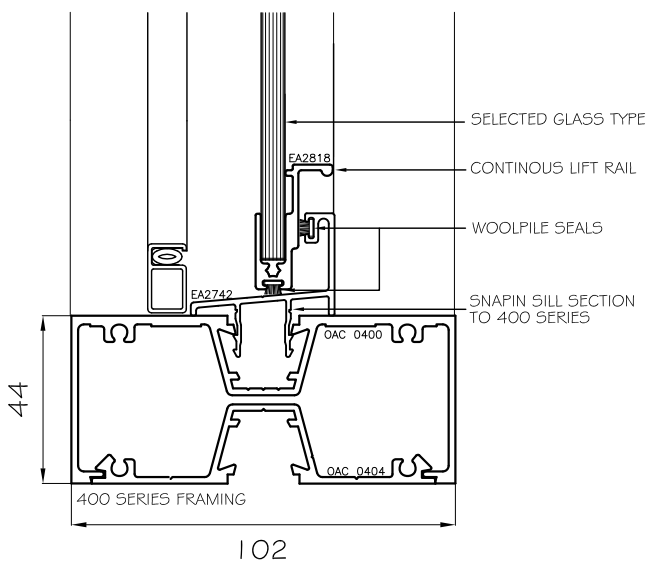


Head, Sill and Jamb

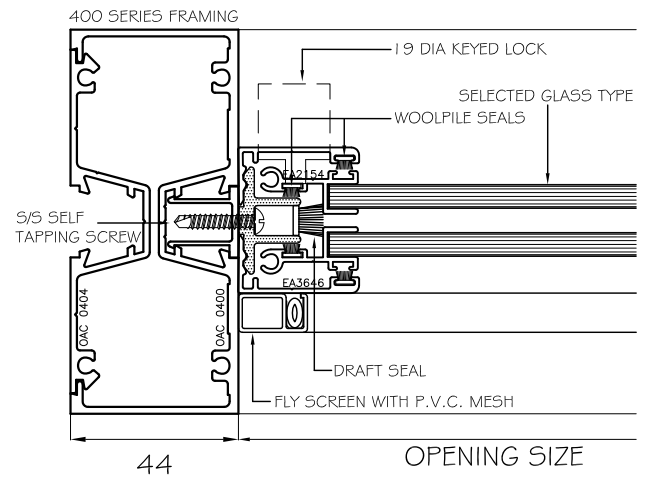
Scale 1:2



TYPICAL LAP DETAIL



OPTIONAL SILL DETAIL



JAMB DETAIL