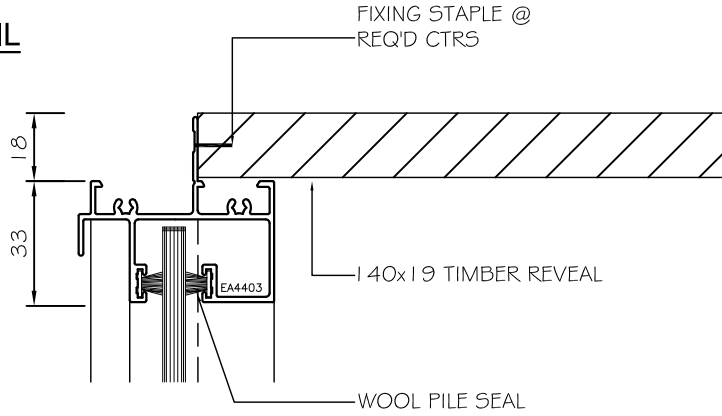


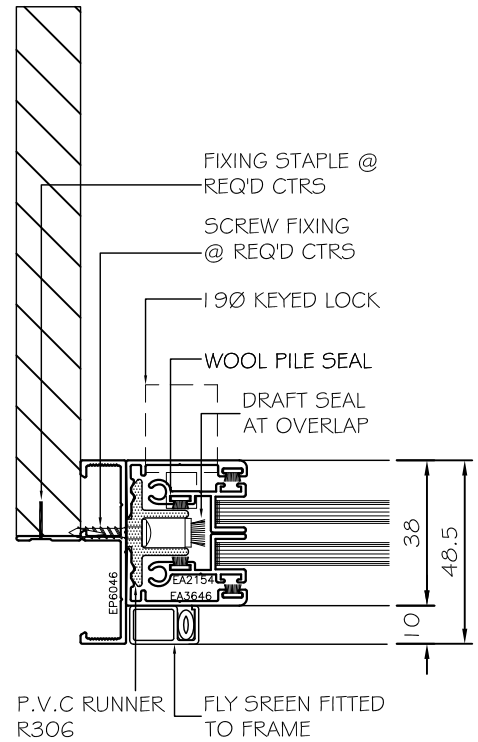
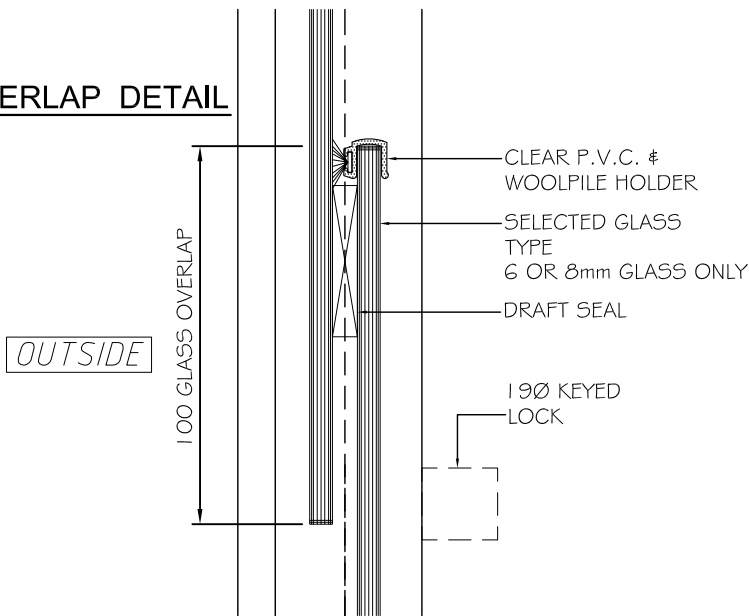
Head, Sill and Jamb

Scale 1:2

HEAD DETAIL



OVERLAP DETAIL



JAMB DETAIL OUTSIDE

SILL DETAIL

