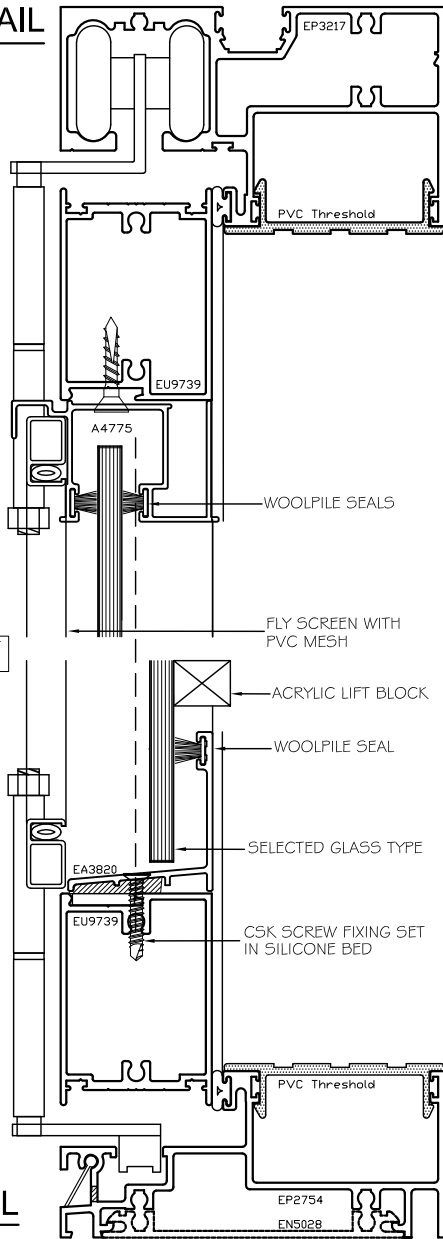


Capral 586 Bi-Folding Door Suite

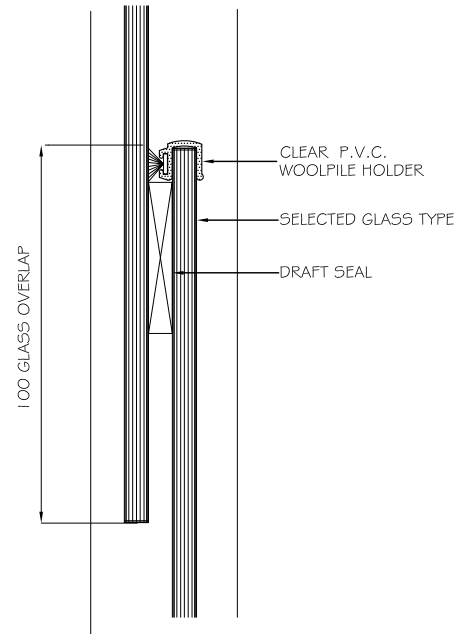
Head, Sill and Jamb

Scale 1:2

HEAD DETAIL

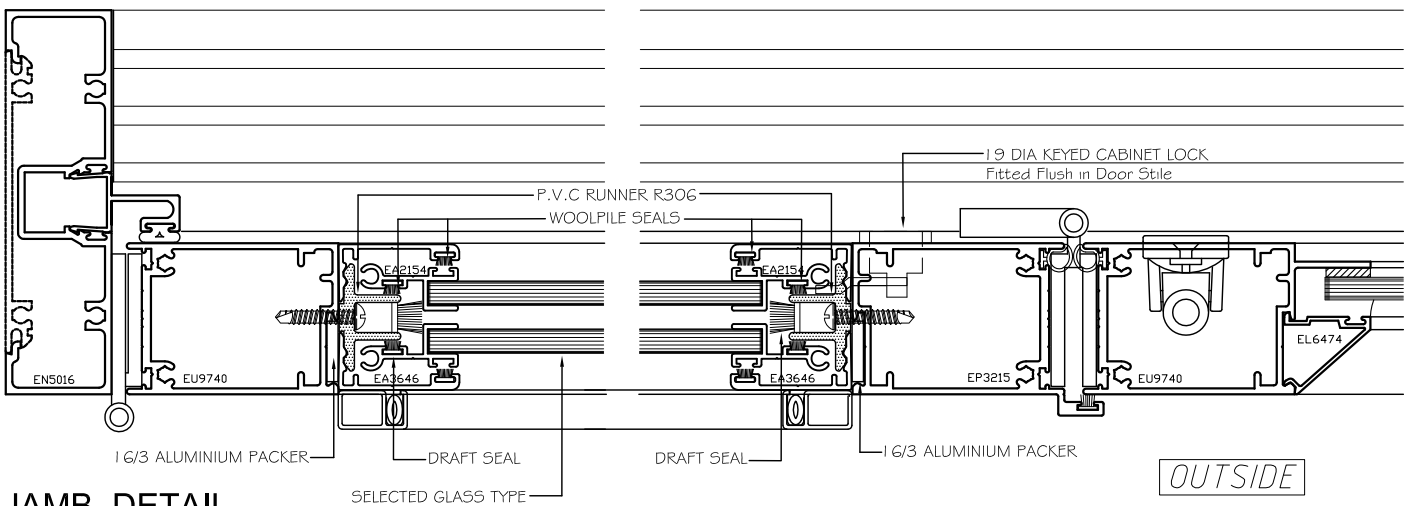


OUTSIDE



TYPICAL LAP DETAIL

SILL DETAIL



OUTSIDE

JAMB DETAIL