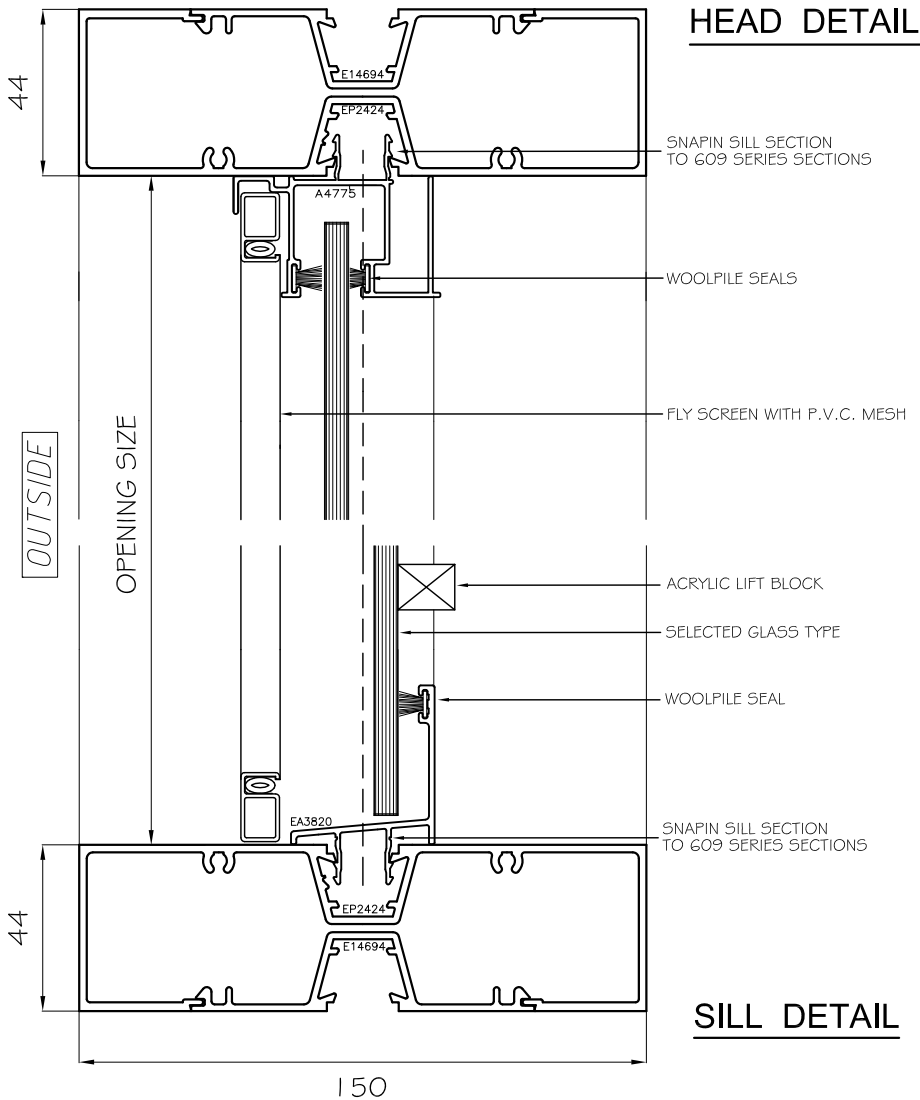
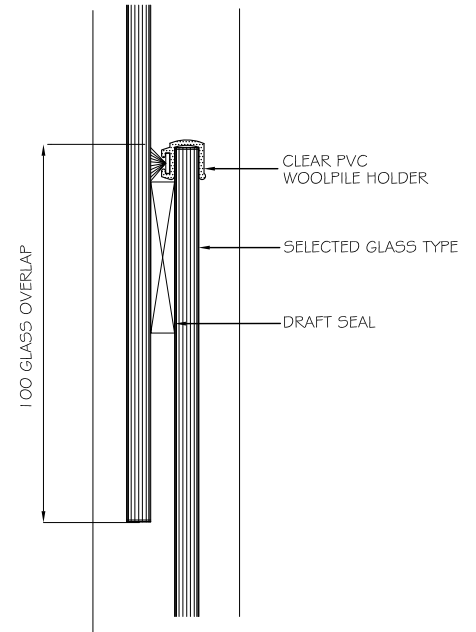


Head, Sill and Jamb

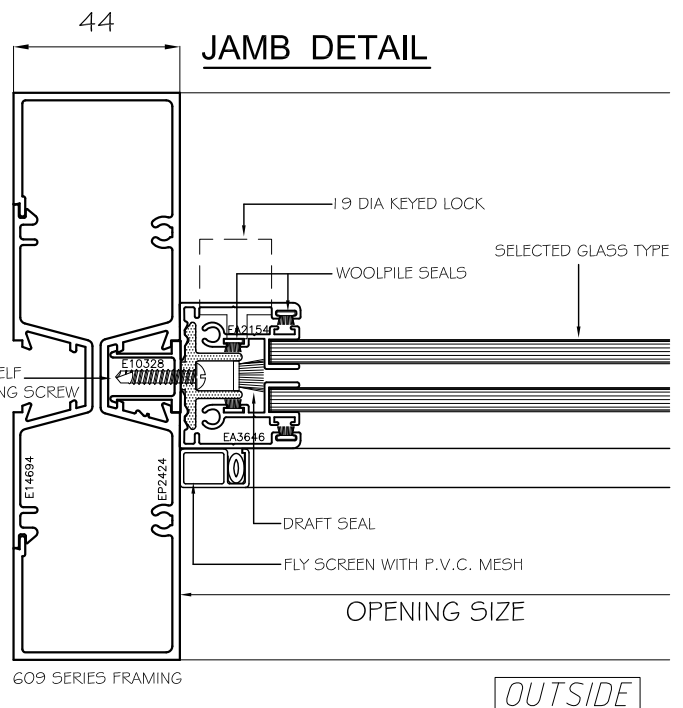
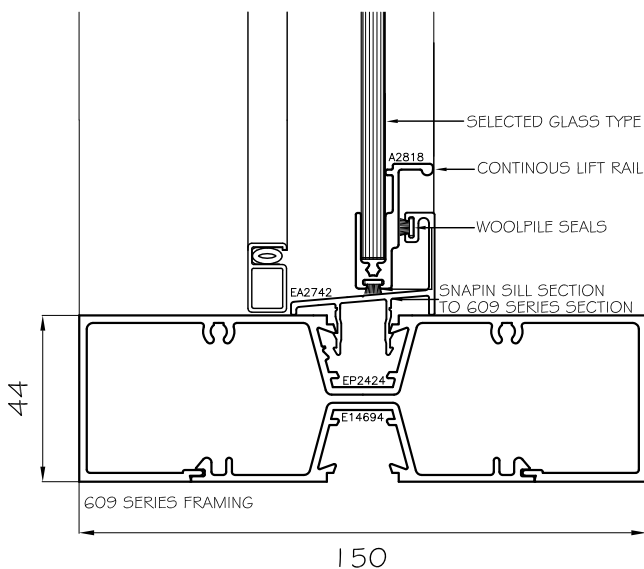
Scale 1:2



TYPICAL LAP DETAIL



OPTIONAL SILL DETAIL



OUTSIDE