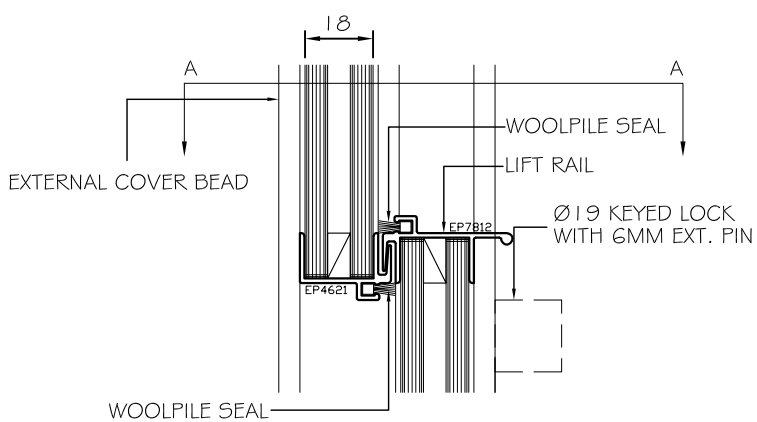
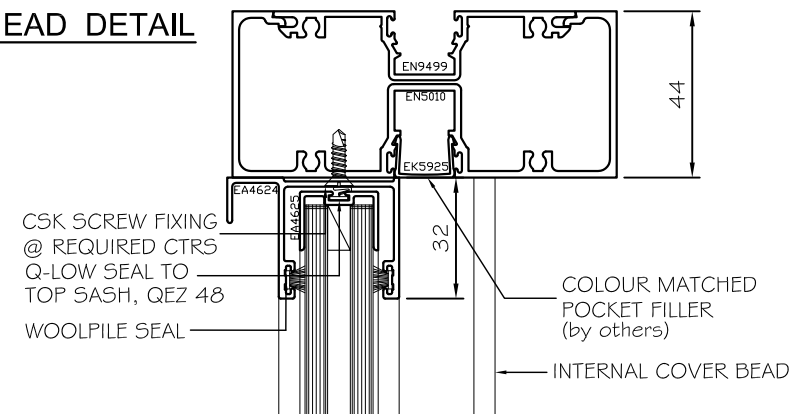


Double Glazed 3 Panel (Bottom Fixed) Fixed to Capral 400 Series Frame with Transom

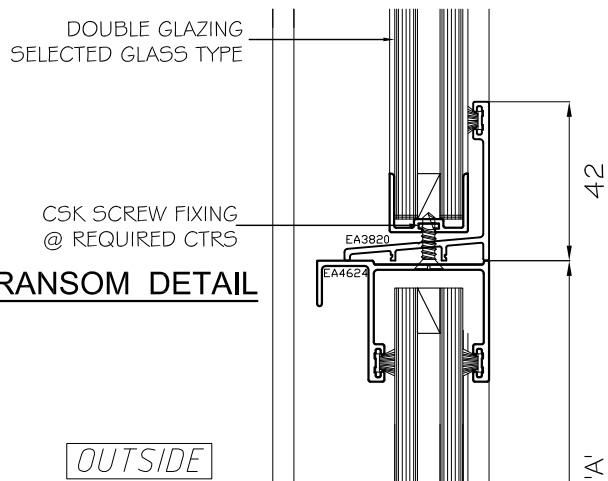
Head, Sill, Jamb and Transom

Scale 1 : 2

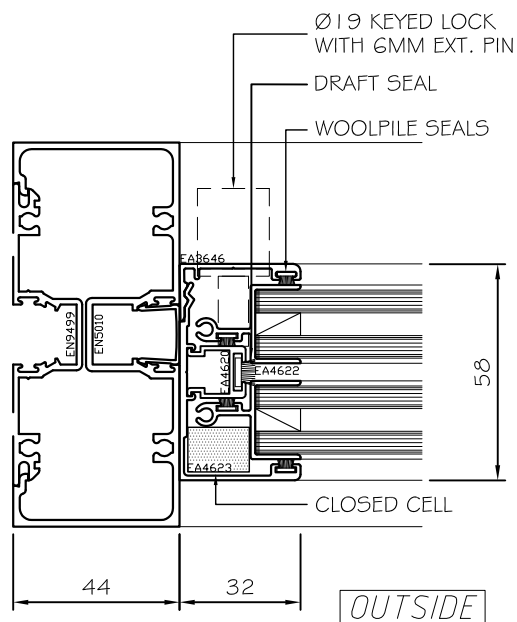
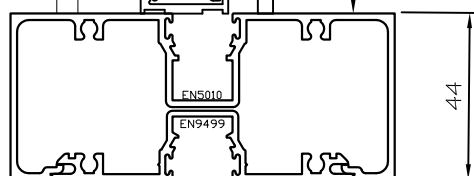
HEAD DETAIL



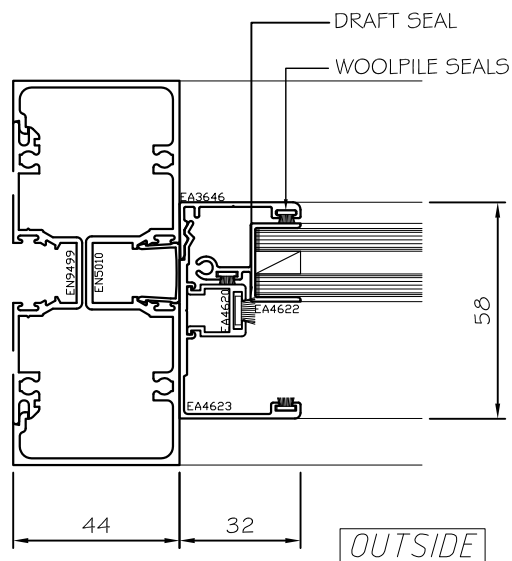
TRANSOM DETAIL



SILL DETAIL



JAMB DETAIL A-A



JAMB DETAIL B-B

NOTE: HEIGHT 'A' TO BE NOMINATED