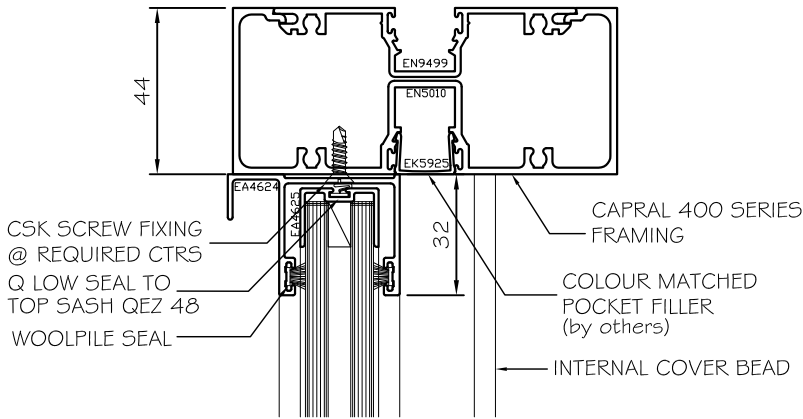


Double Glazed Counter Balanced Window Fixed to Capral 400 Series Frame

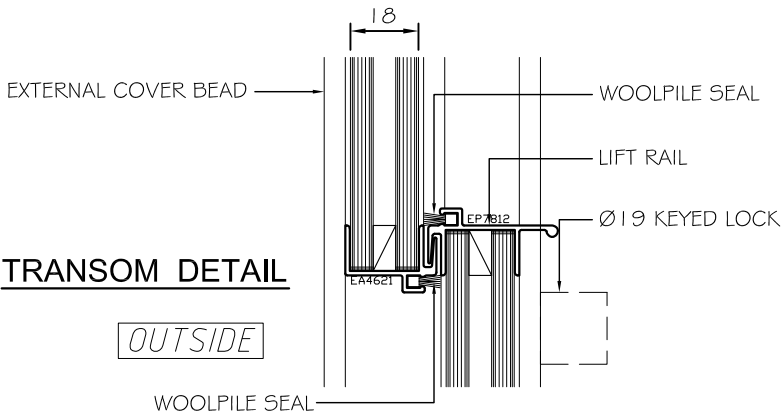
Head, Sill, Transom and Jamb

Scale 1:2

HEAD DETAIL



TRANSOM DETAIL



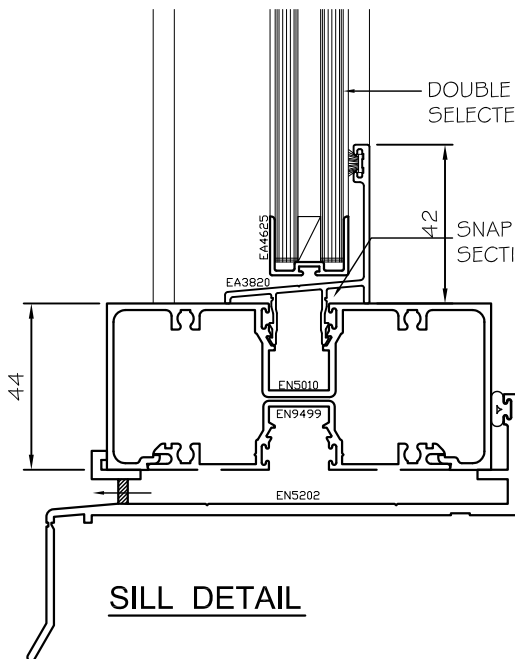
OUTSIDE

WOOLPILE SEAL

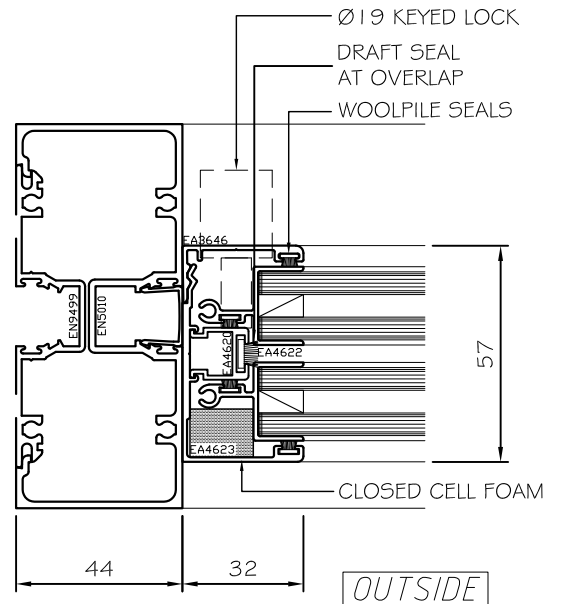
DOUBLE GLAZING
SELECTED GLASS TYPE

42

SNAP IN SILL SECTION



SILL DETAIL



JAMB DETAIL

NOTE: POCKET FILLER TO HEAD REQUIRED