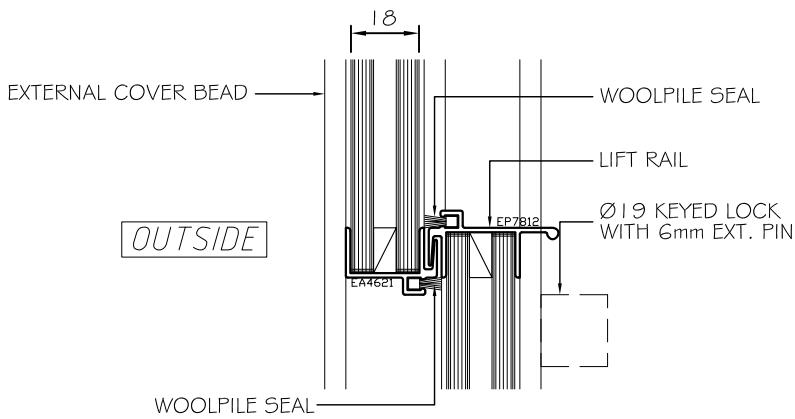
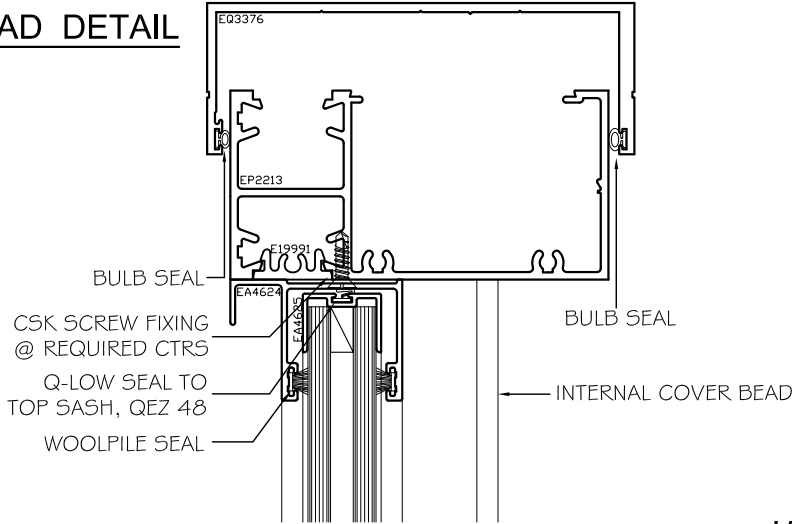


Double Glazed Counter Balanced Window Fixed to Capral 419 Flushline Frame

Head, Sill and Jamb

Scale 1:2

HEAD DETAIL



JAMB DETAIL

