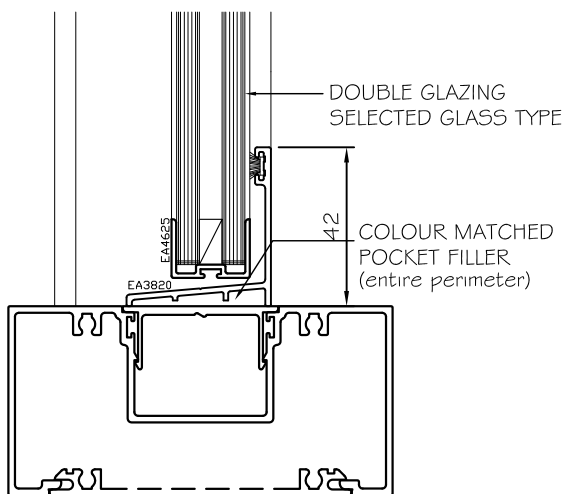
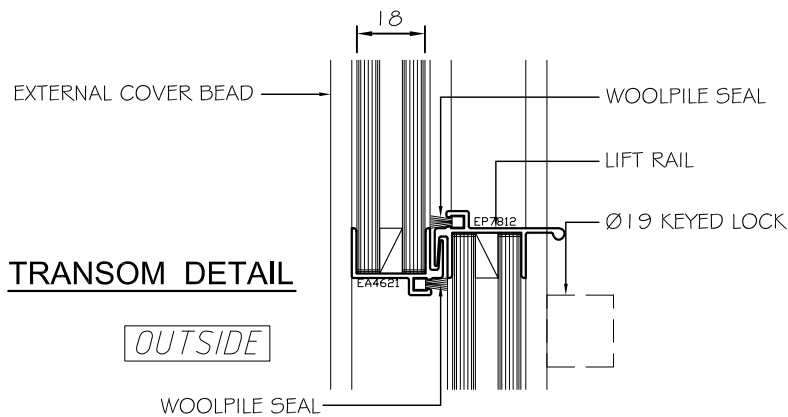
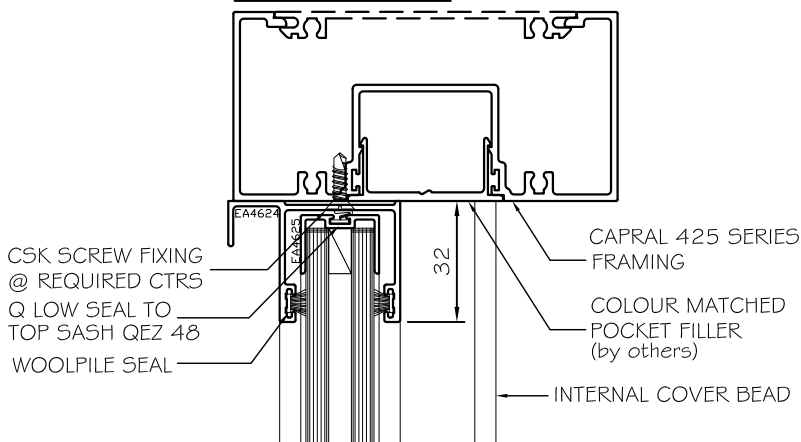


Double Glazed Counter Balanced Window Fixed to Capral 425 Series Frame

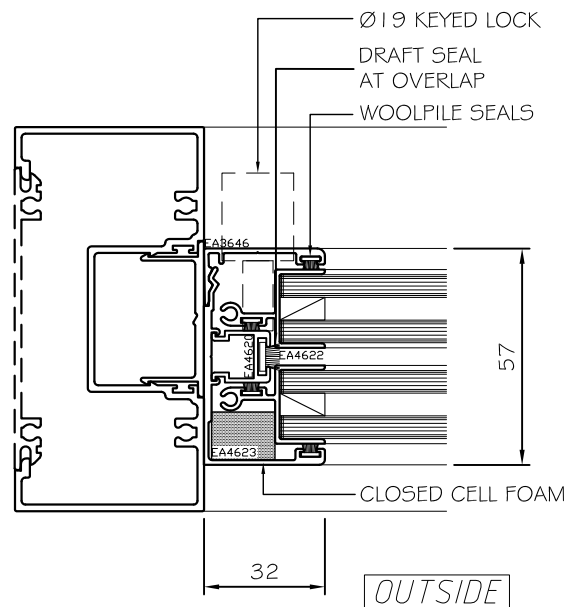
Head, Sill, Transom and Jamb

Scale 1:2

HEAD DETAIL



SILL DETAIL



JAMB DETAIL

NOTE: POCKET FILLER REQUIRED ALL ROUND