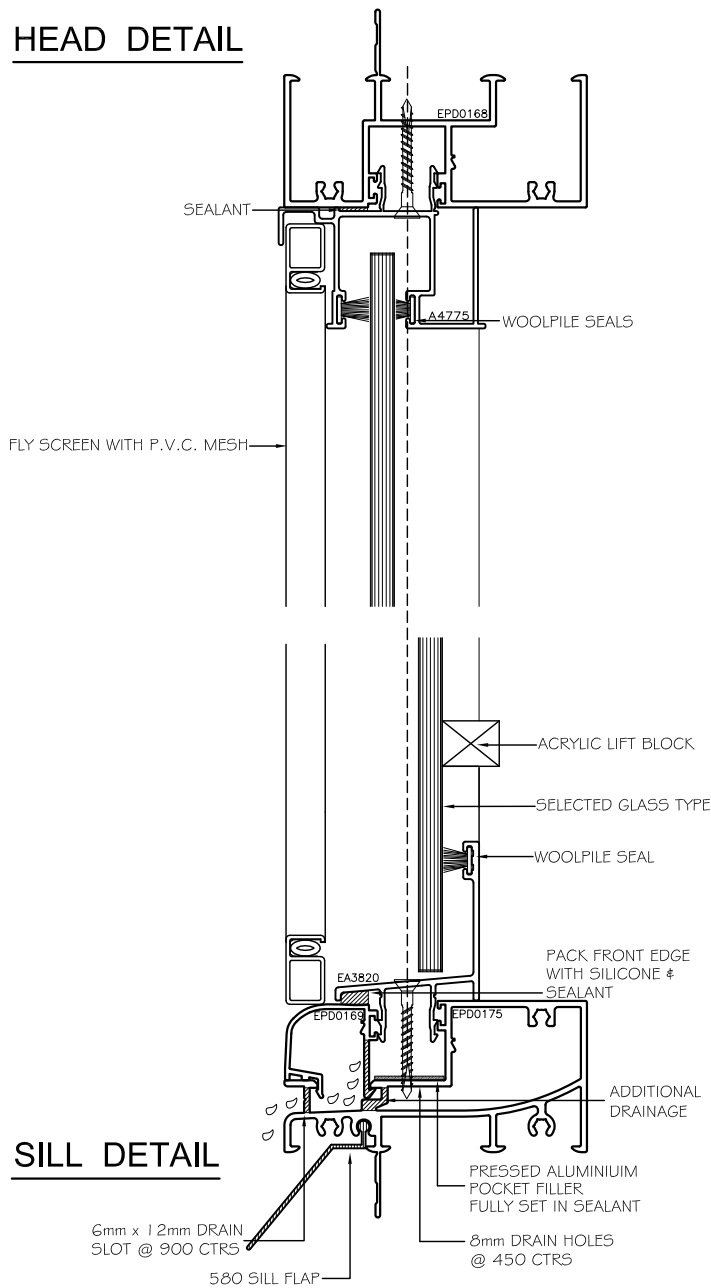
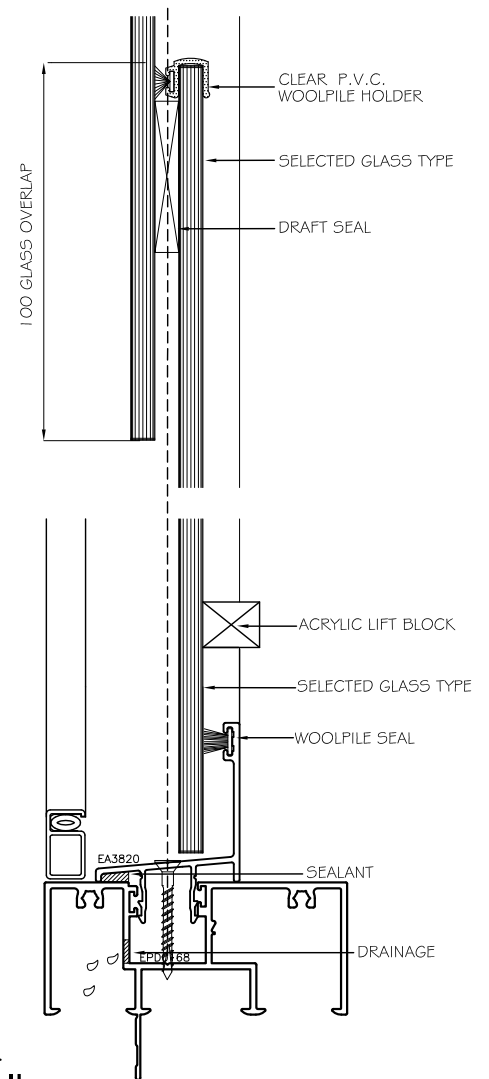


HEAD DETAIL



TYPICAL LAP DETAIL

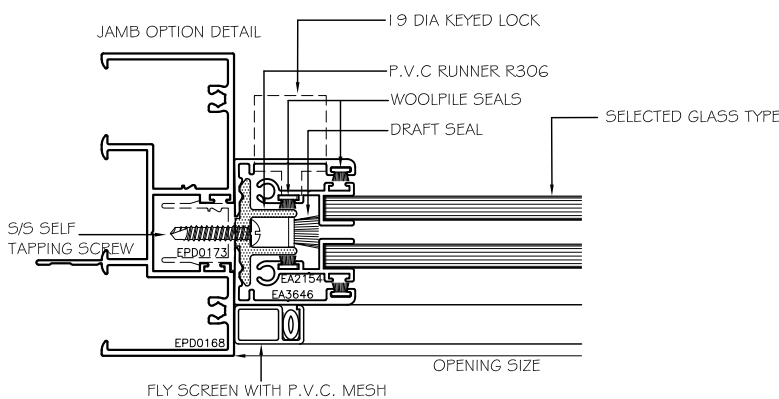


SILL DETAIL

OPTIONAL SILL DETAIL

(recommended with use of subsill)

JAMB DETAIL



JAMB DETAIL

