

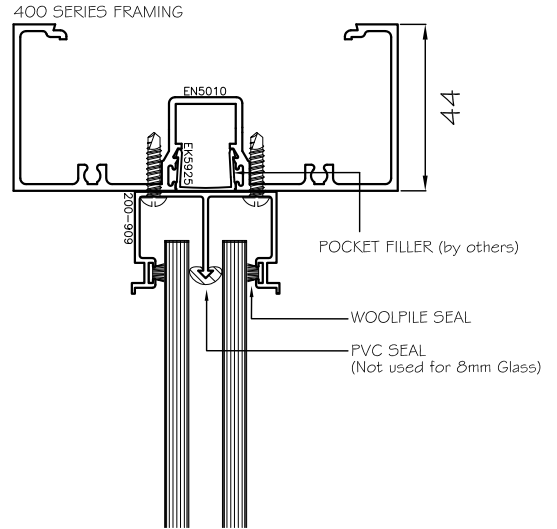
Lidco 260 System 2 Panel Horizontal Slider Fixed to Capral 400 Series Frame - 6 and 8mm Glass



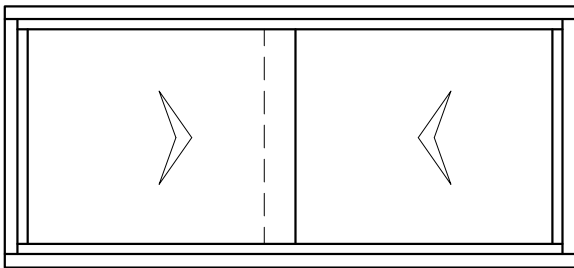
Head, Sill and Jamb

Scale 1:2

HEAD DETAIL



TYPICAL ELEVATION

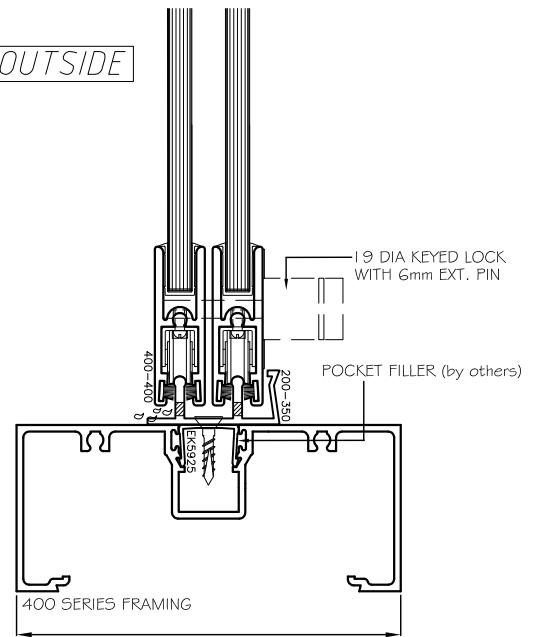


NOTE: THIS WINDOW HAS NO WATER RATING AND IS ONLY SUITABLE WHERE NON-WEATHERPROOF SASHLESS SLIDING PANELS ARE REQUIRED.

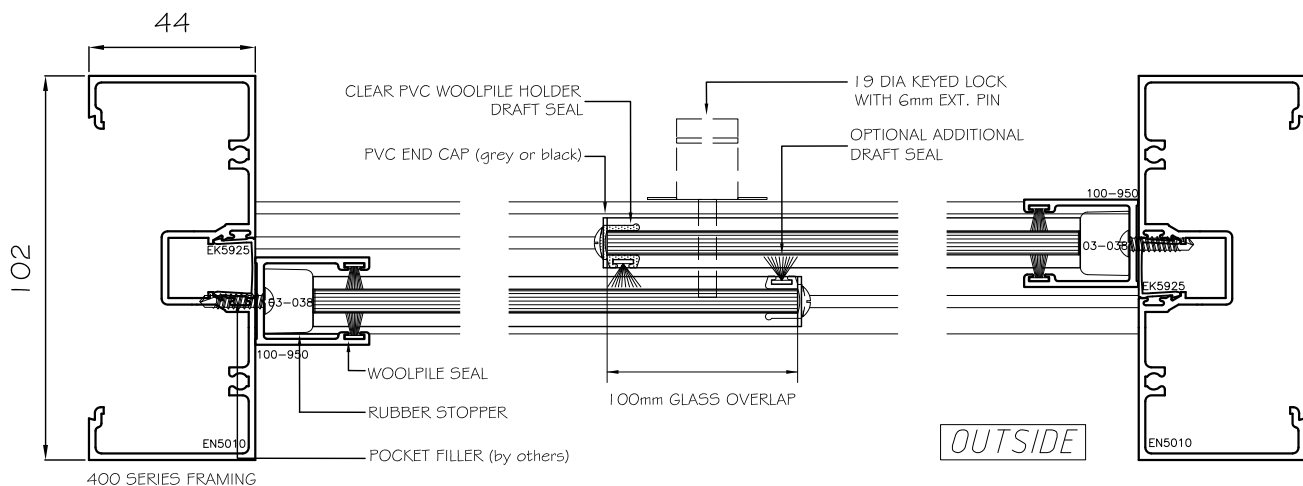
Please see the latest update for further development on Austview Sashless water rated horizontal windows.

OUTSIDE

SILL DETAIL



JAMB DETAIL



OUTSIDE