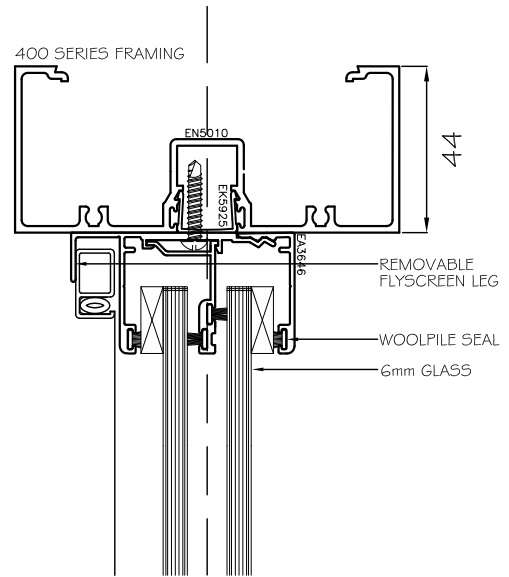


# Austview Sashless 2 Panel Horizontal Slider Fixed to Capral 400 Series Frame - 6mm Glass

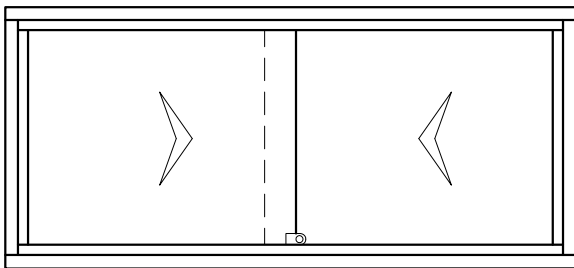
## Head, Sill and Jamb

Scale 1:2

### HEAD DETAIL



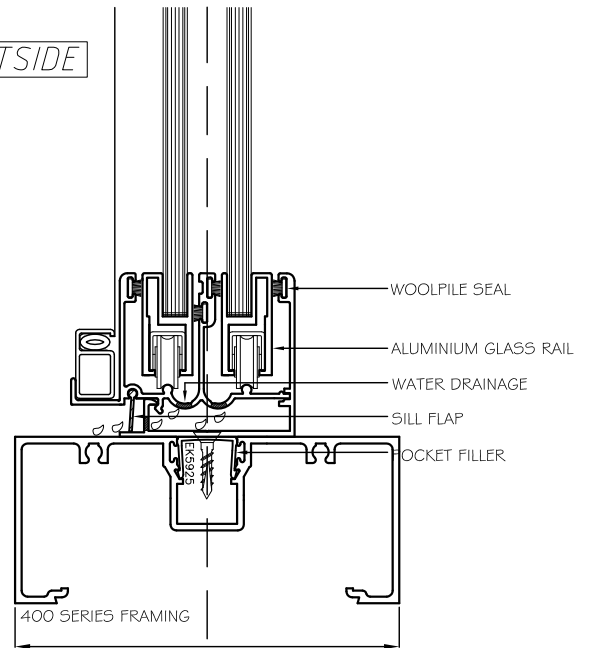
### TYPICAL ELEVATION (internal)



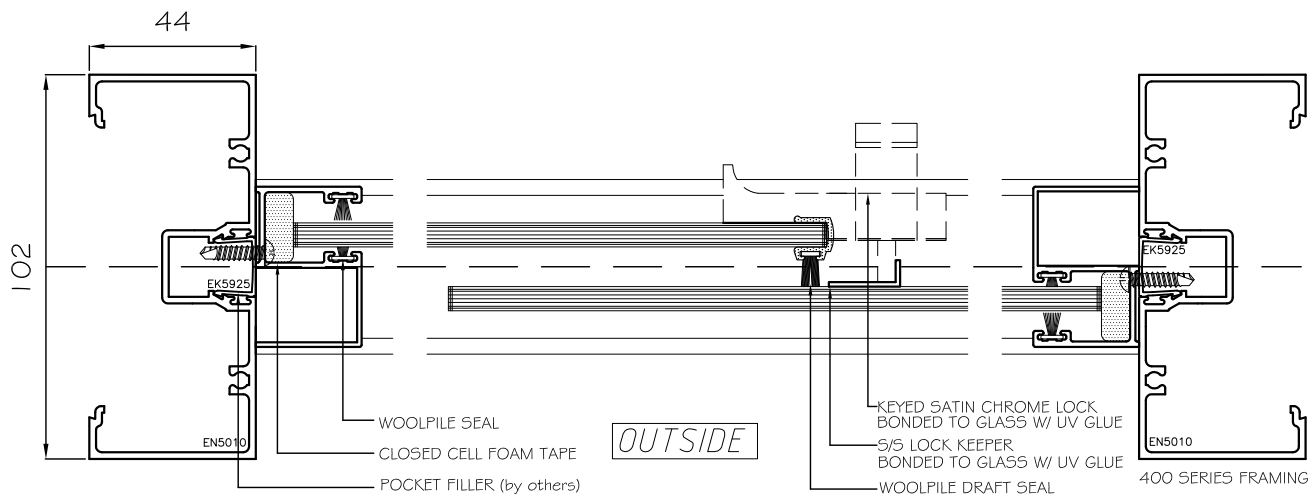
Water Rating Approximation 200 Pa.  
Results Pending

OUTSIDE

### SILL DETAIL



### JAMB DETAIL



OUTSIDE