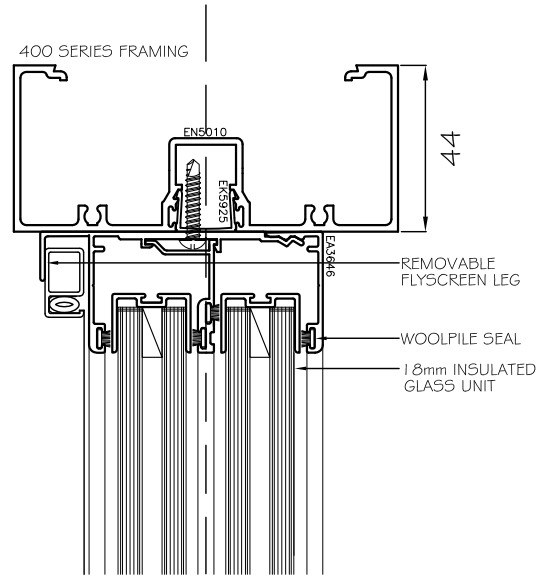


Austview Sashless Double Glazed Horizontal Slider Fixed to Capral 400 Series Frame - 18mm Glass

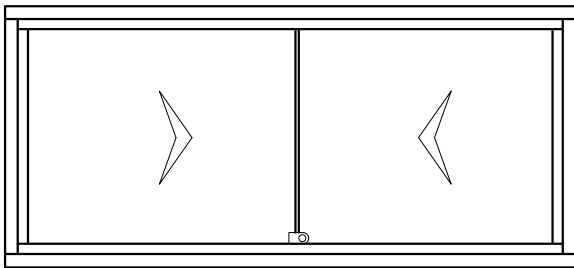
Head, Sill and Jamb

Scale 1:2

HEAD DETAIL

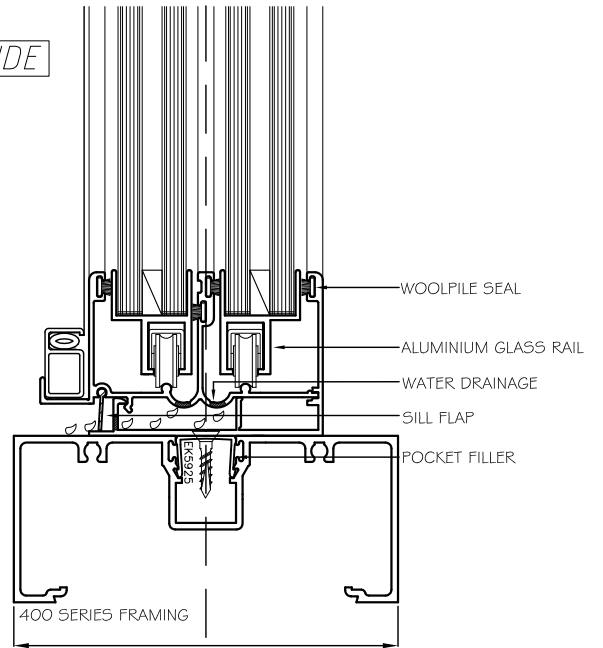


TYPICAL ELEVATION (internal)



Water Rating Approximation 200 Pa.
Results Pending

OUTSIDE



SILL DETAIL

JAMB DETAIL

