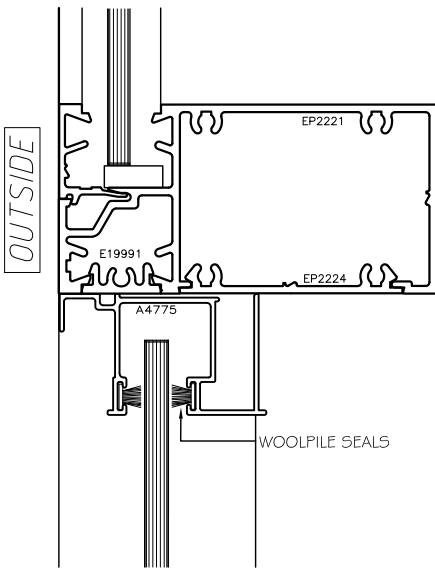


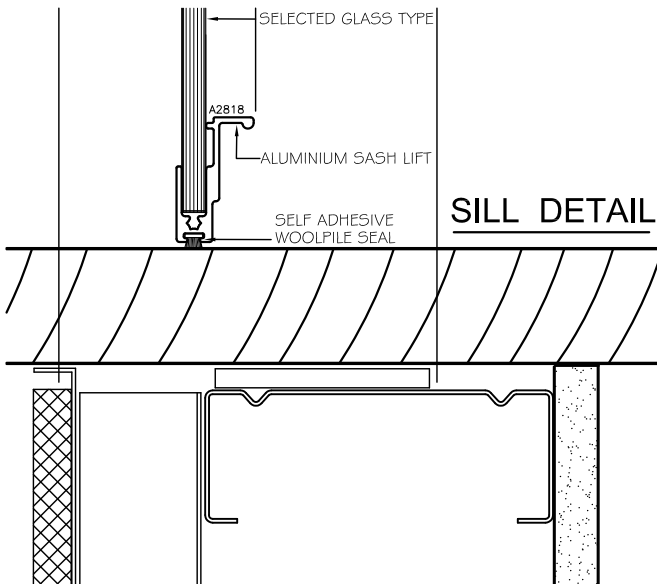
Head, Sill and Jamb

Scale 1:2

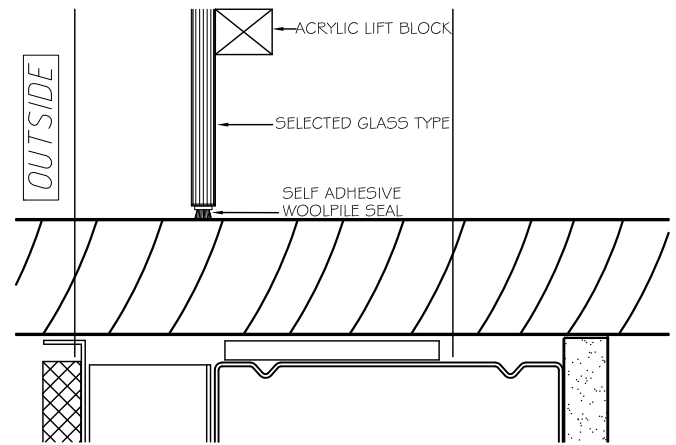
HEAD DETAIL



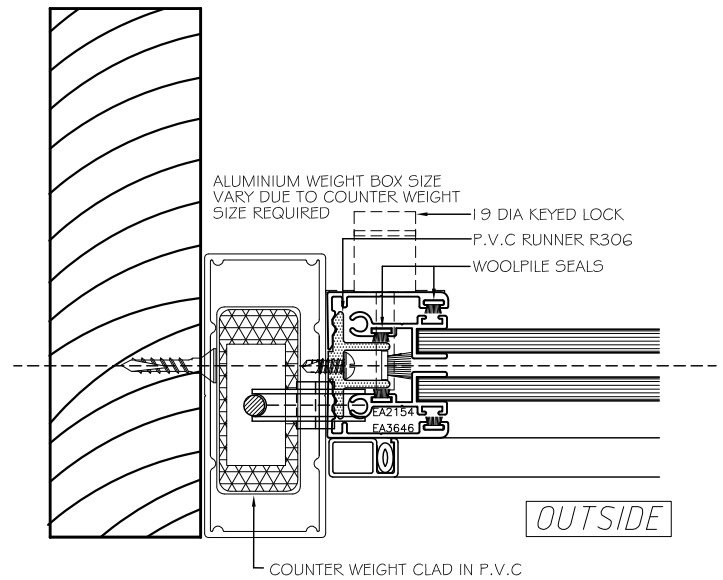
SILL DETAIL



OPTIONAL SILL DETAIL



TIMBER JAMB DETAIL



ALUMINIUM JAMB DETAIL

