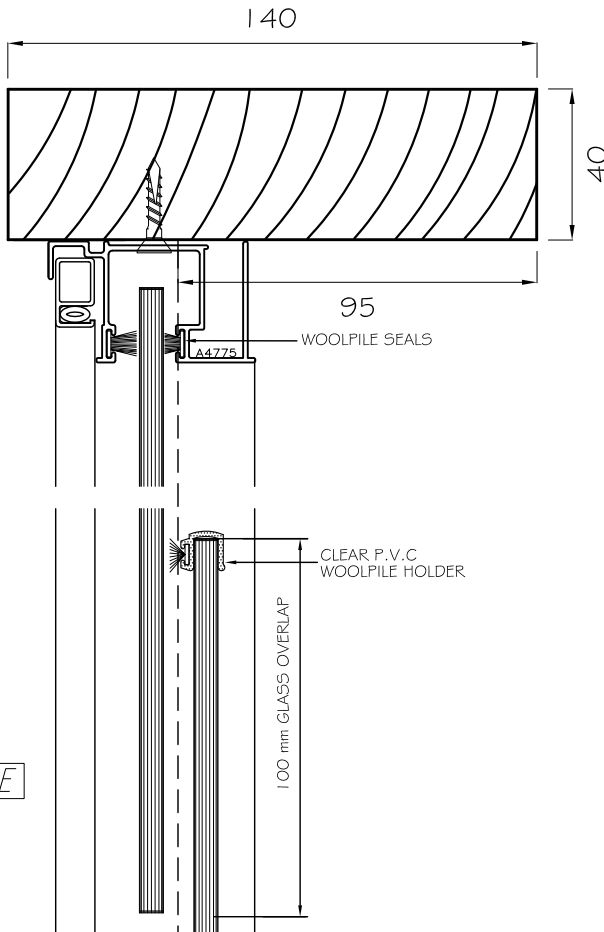


Timber Series Frame with Aluminium Insert

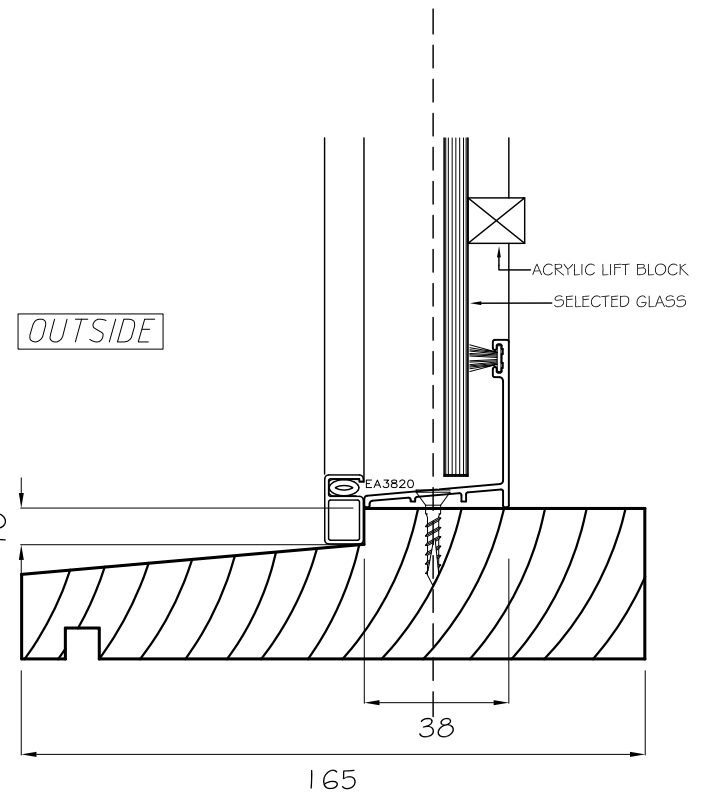
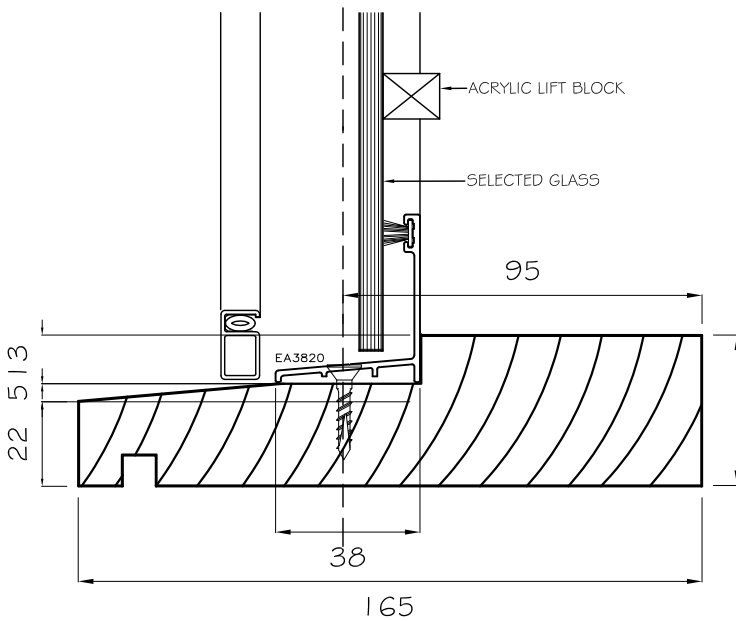
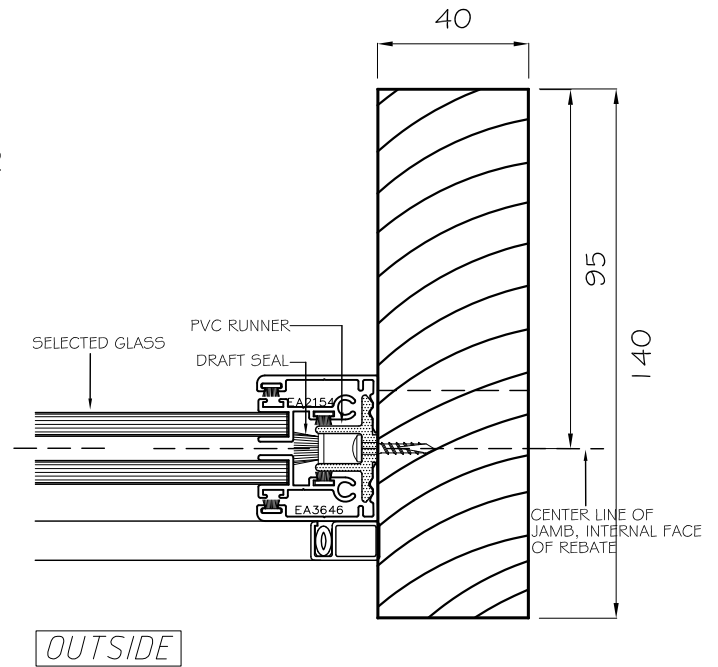
Head, Sill and Jamb

Scale 1:2

HEAD DETAIL



JAMB DETAIL



SILL DETAIL

OPTIONAL SILL DETAIL