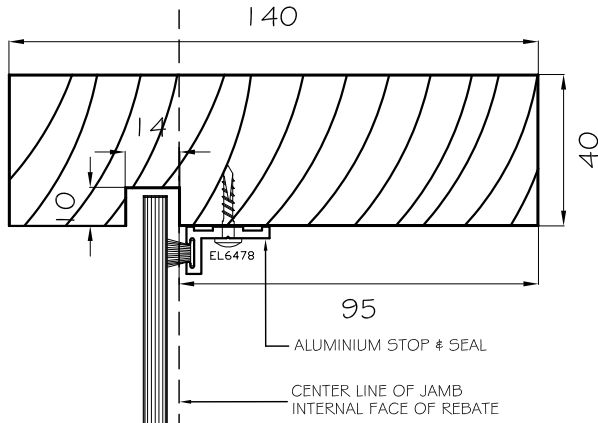


Timber Series Frame with Aluminium Insert

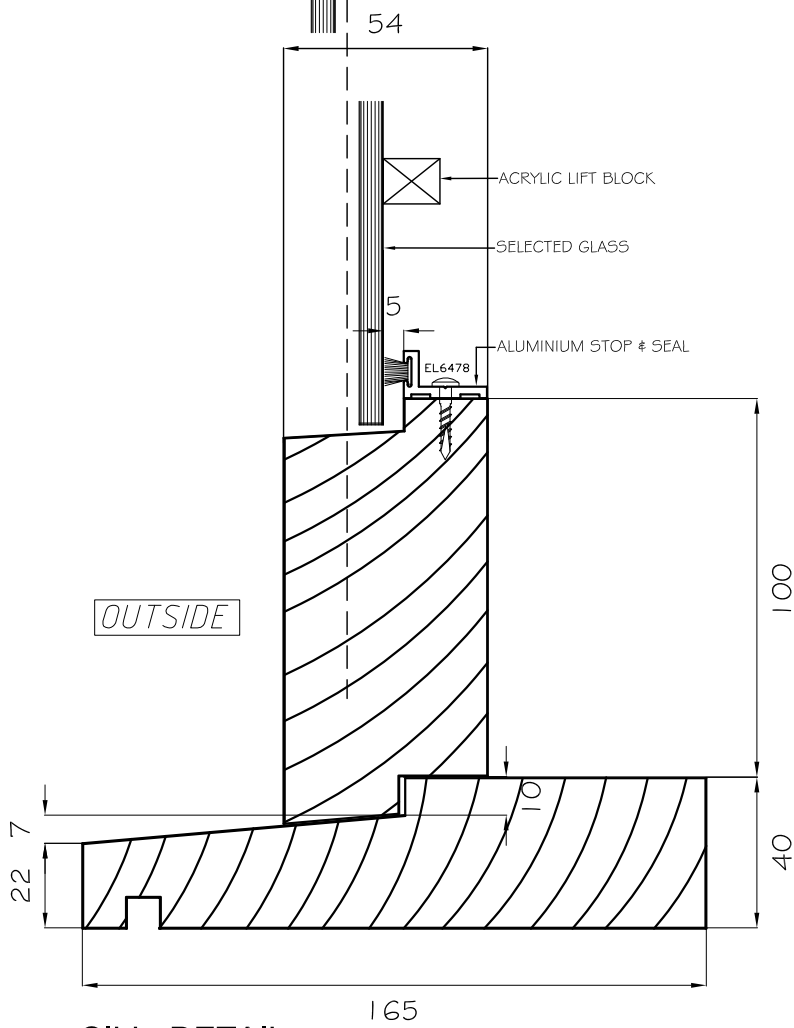
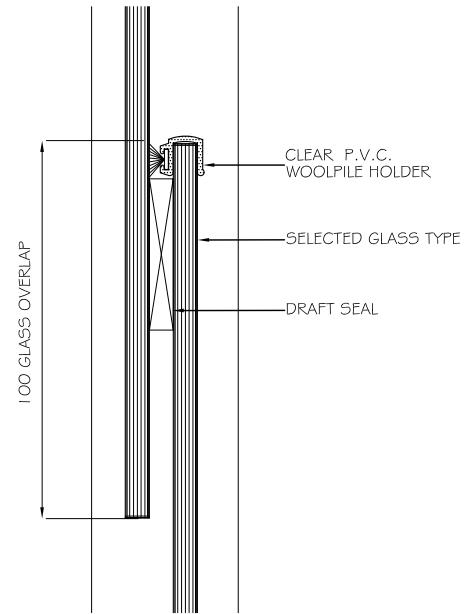
Kick Rail, Head, Sill and Jamb

Scale 1:2

HEAD DETAIL



TYPICAL LAP DETAIL



JAMB DETAIL

