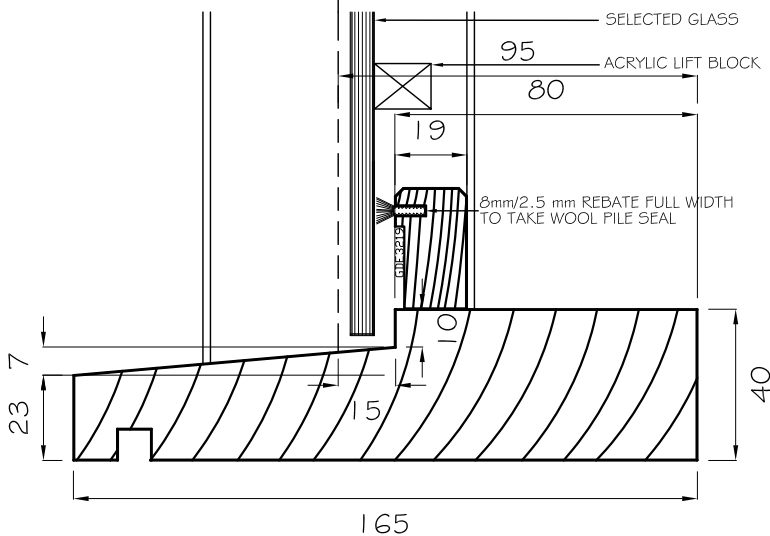
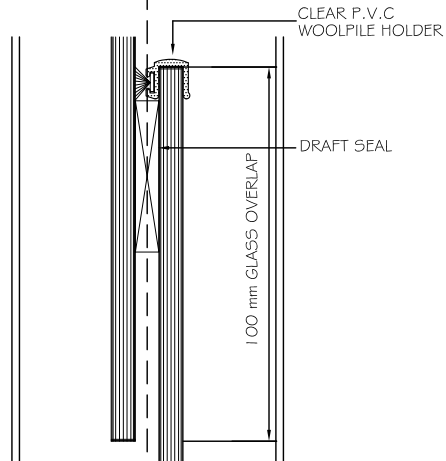
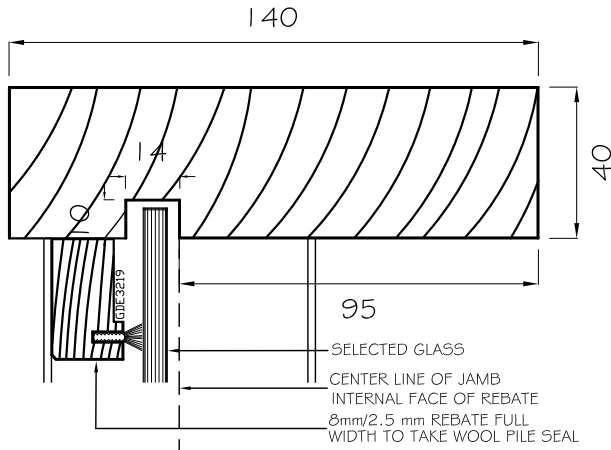
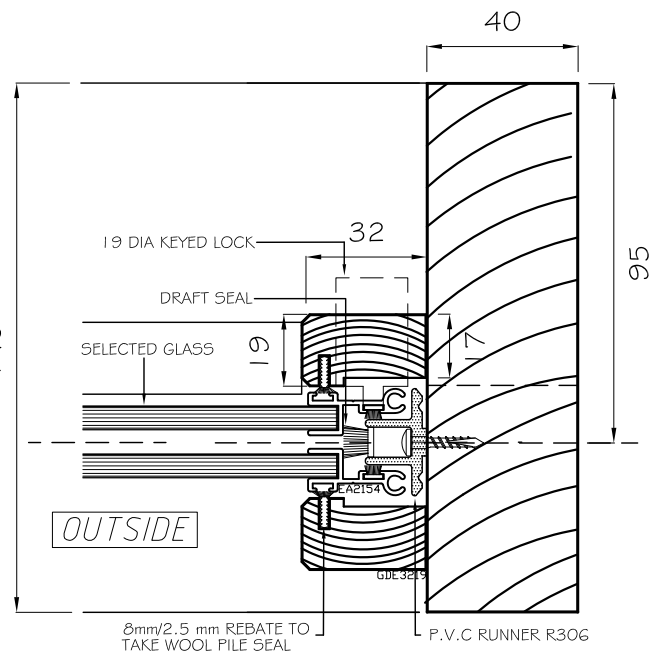


HEAD DETAIL



SILL DETAIL



JAMB DETAIL