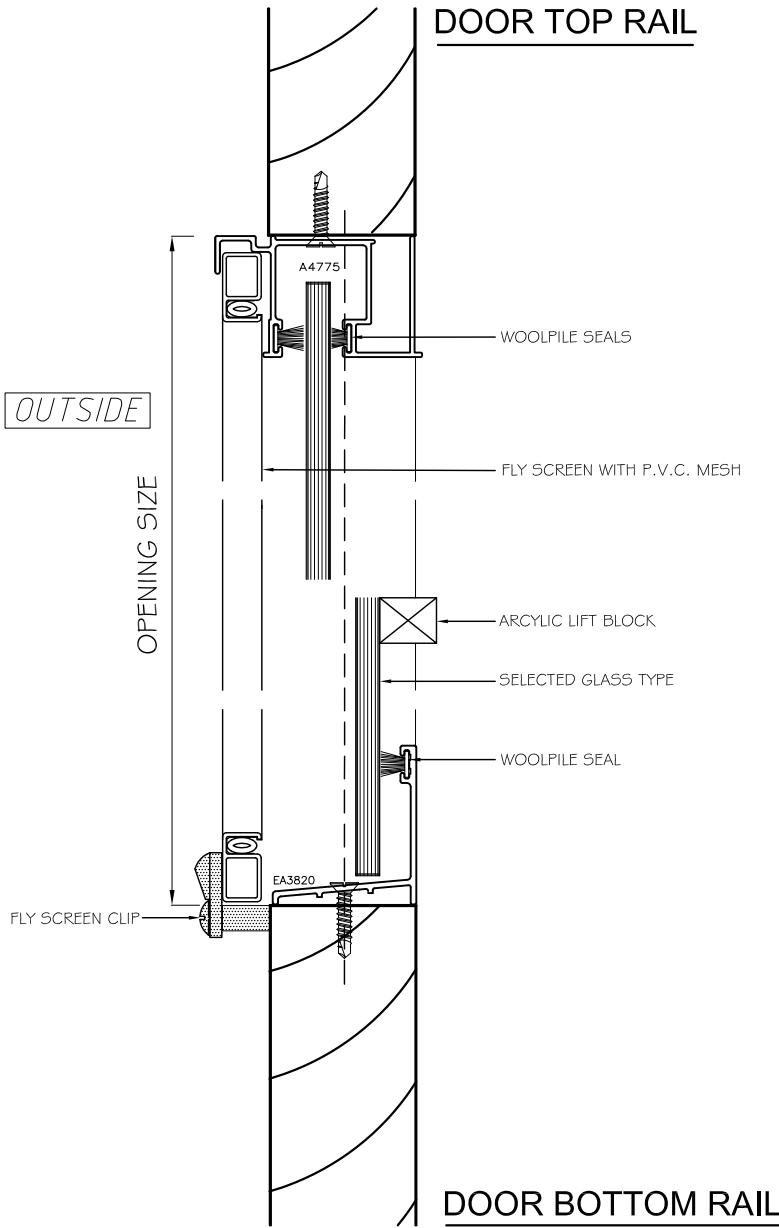
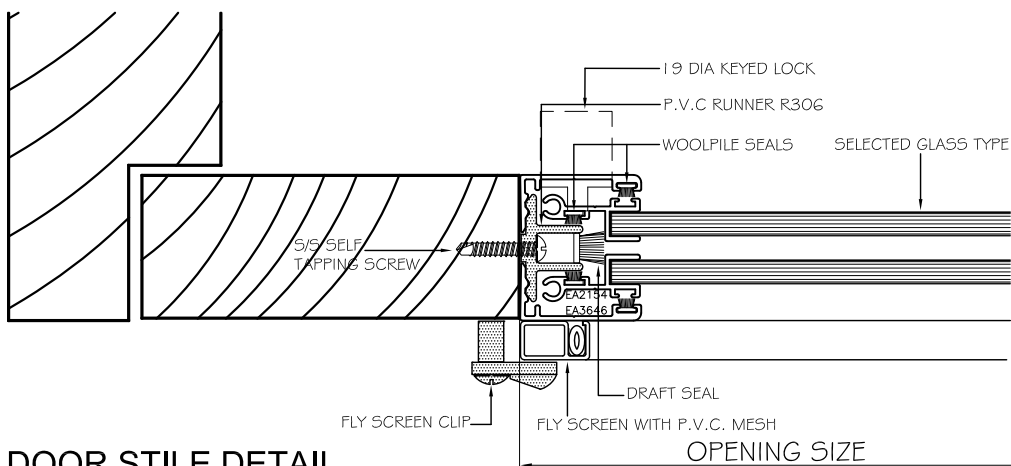
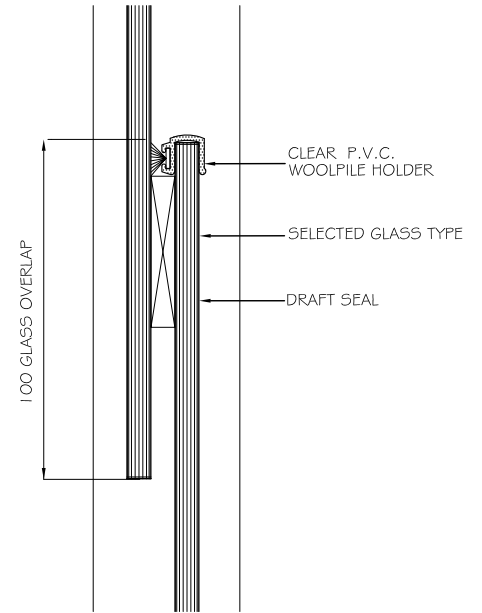


Top Rail, Bottom Rail and Stile Detail

Scale 1 : 2



TYPICAL LAP DETAIL



DOOR STILE DETAIL

Min. Thickness 38mm