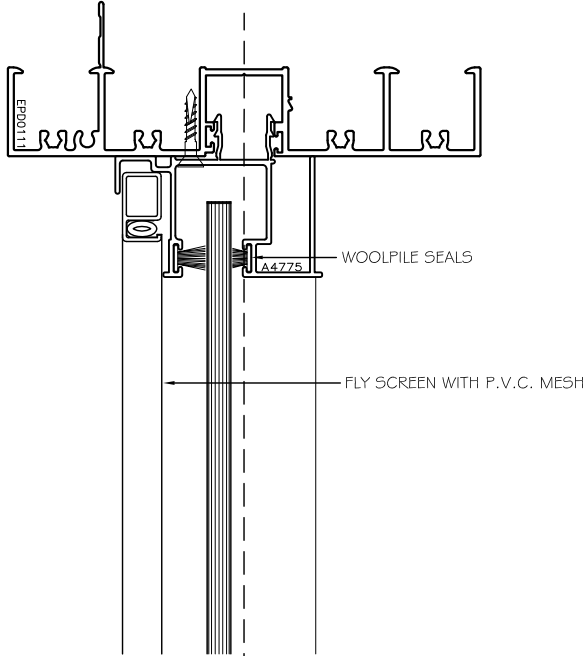
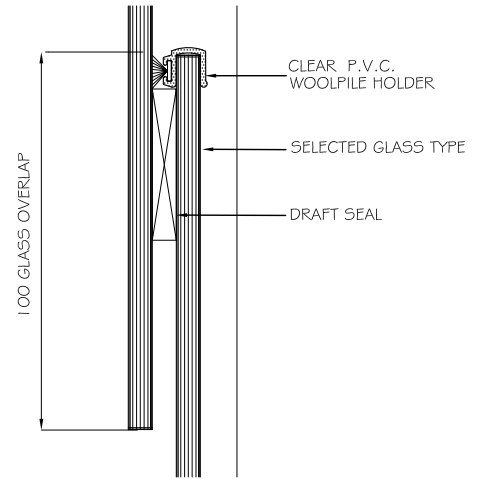


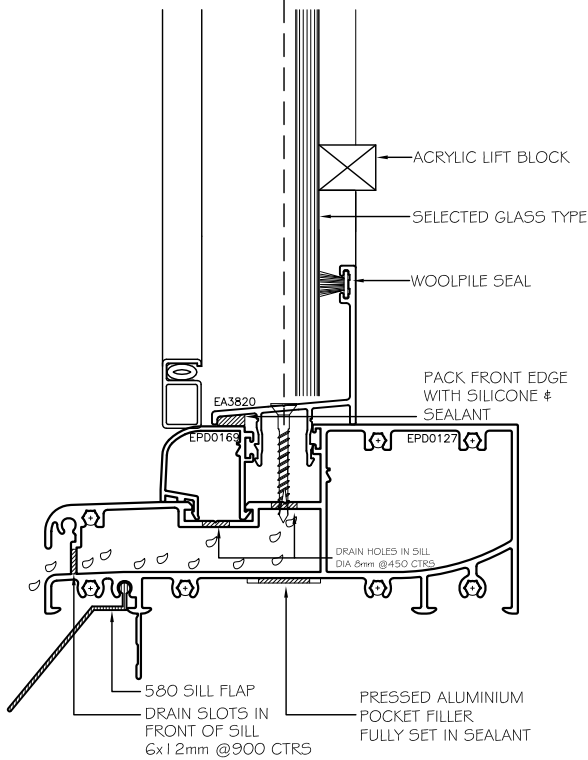
HEAD DETAIL



TYPICAL LAP DETAIL

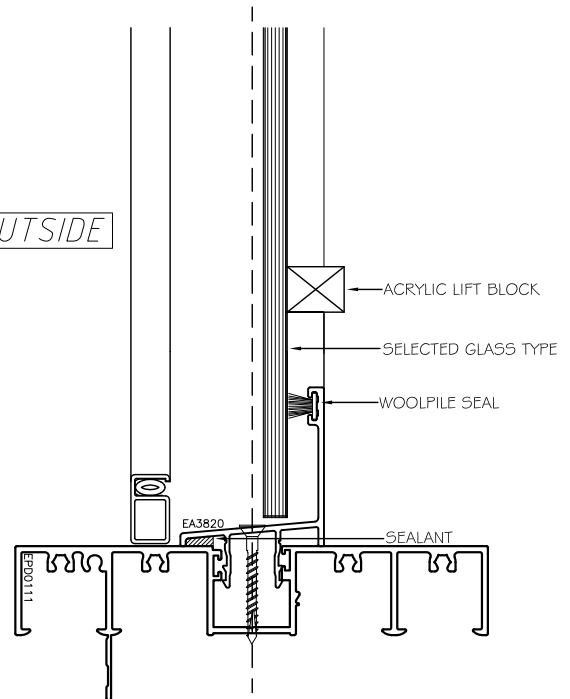


OUTSIDE



SILL DETAIL

OUTSIDE



OPTIONAL SILL DETAIL

(recommended with use of subsill)

