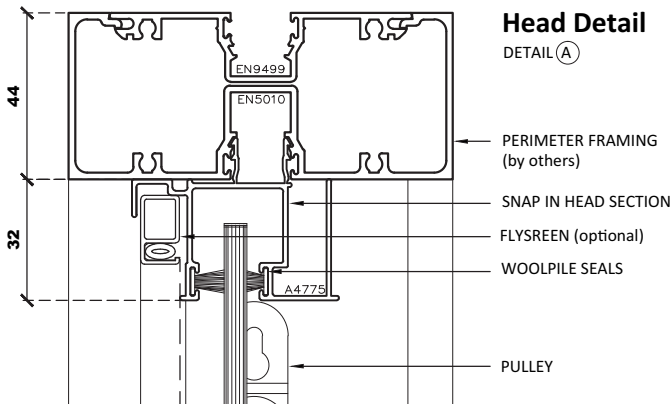
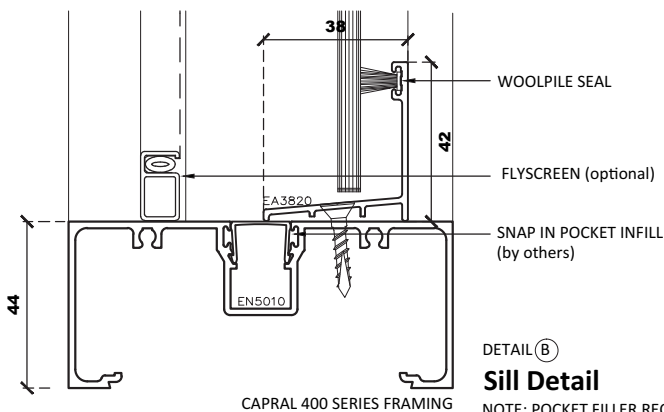
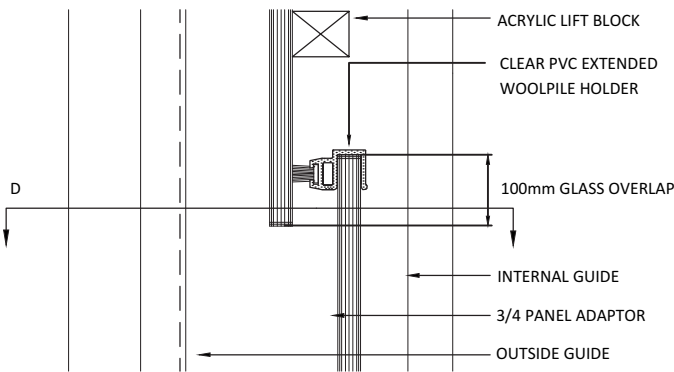
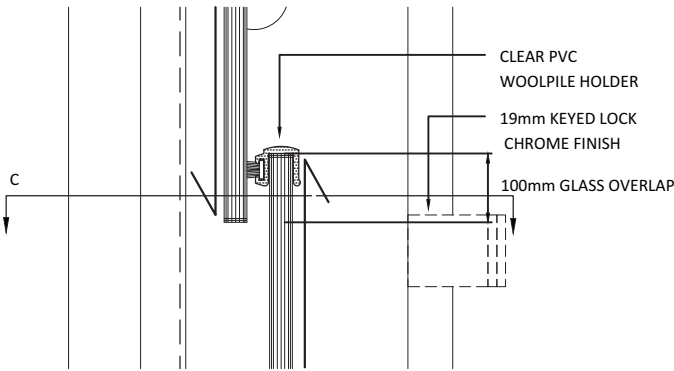


HEAD, SILL AND JAMB

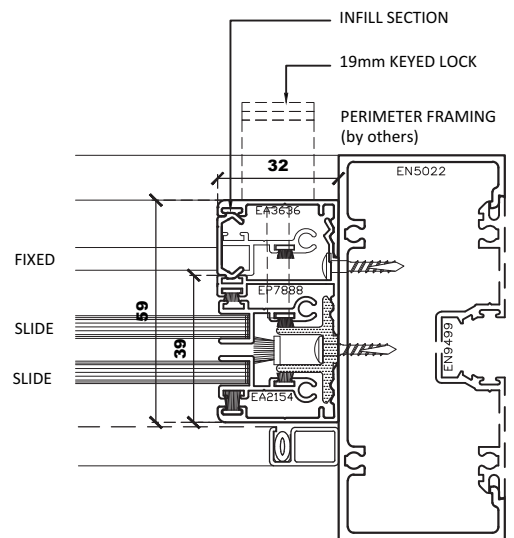
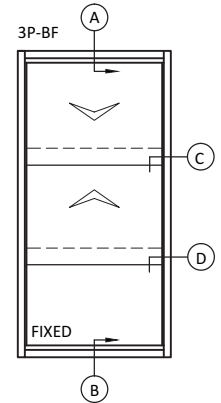


Head Detail
DETAIL (A)



Sill Detail
DETAIL (B)

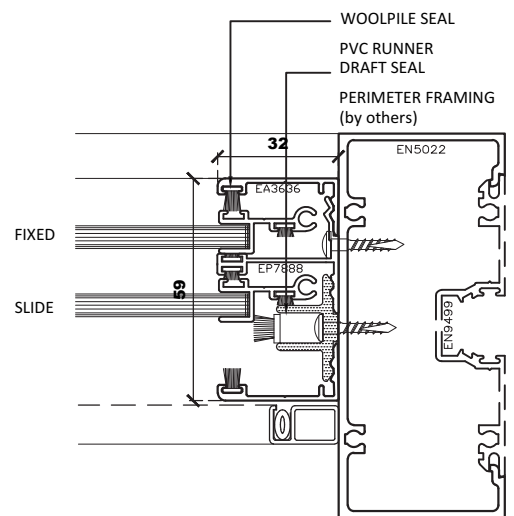
NOTE: POCKET FILLER REQUIRED AT SILL



DETAIL (C)

Jamb Detail

OUTSIDE



DETAIL (D)

Jamb Detail

OUTSIDE