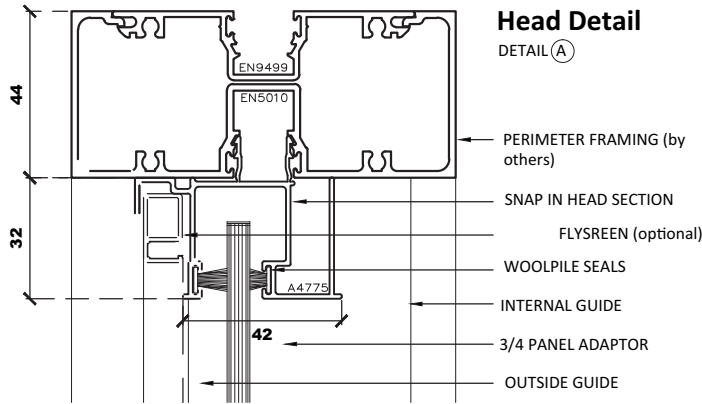


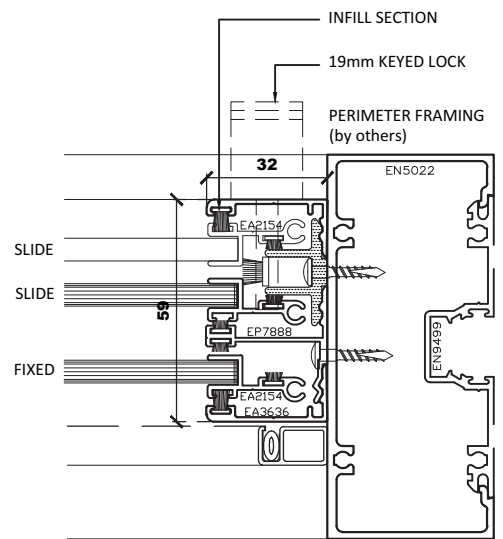
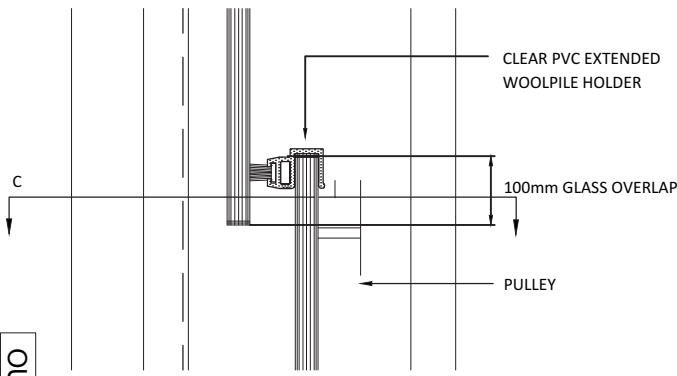
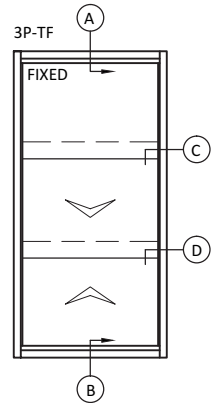
3 PANEL AUSTVIEW SASHLESS WINDOW TOP FIXED,
FIXED TO CAPRAL 400 SERIES FRAME



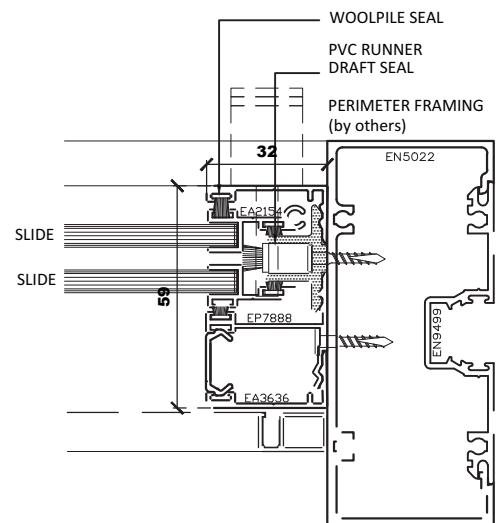
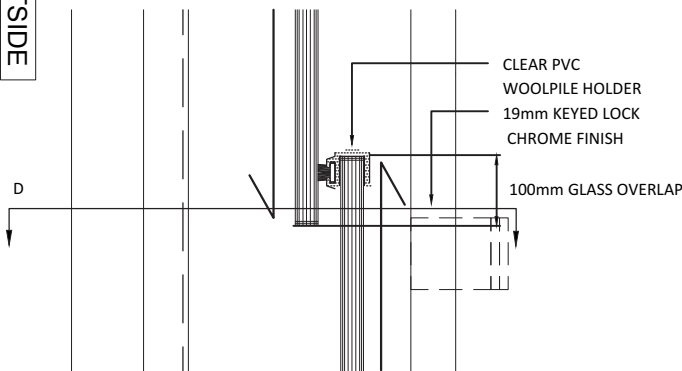
HEAD, SILL AND JAMB



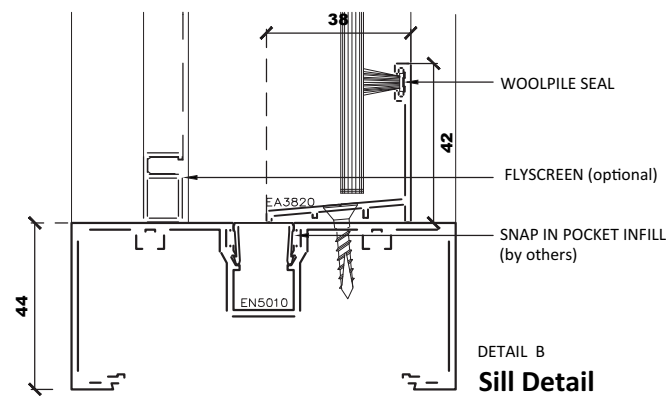
Head Detail
DETAIL (A)



DETAIL (C)
Jamb Detail



DETAIL (D)
Jamb Detail



DETAIL (B)
Sill Detail

CAPRAL 400 SERIES FRAMING
NOTE: POCKET FILLER REQUIRED AT SILL



Australian Standard 2047