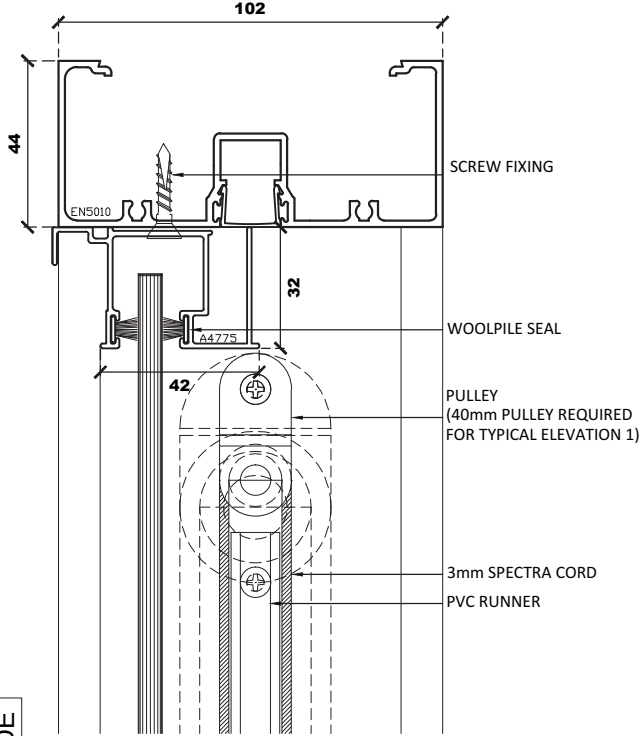
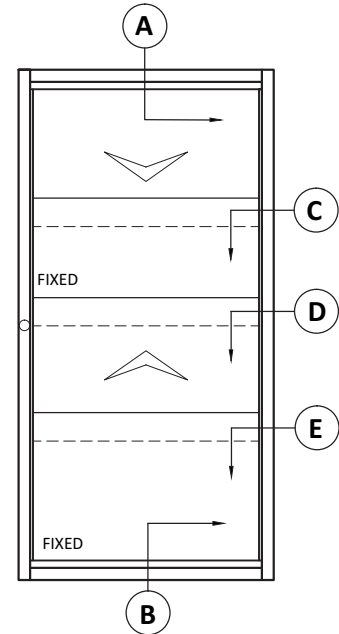


HEAD, SILL AND JAMB

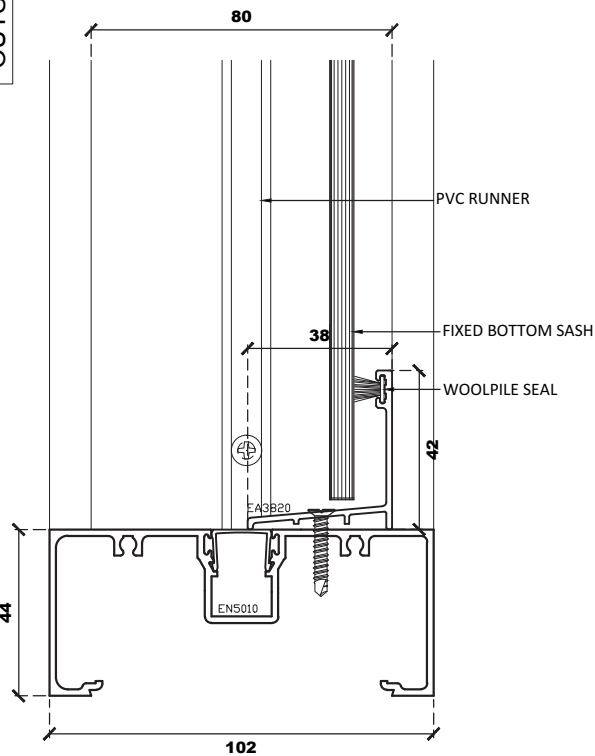
**(A) Head Detail**



**Typical Elevation 1**

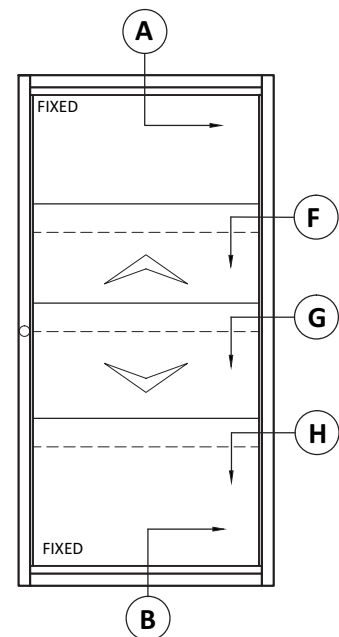


OUTSIDE



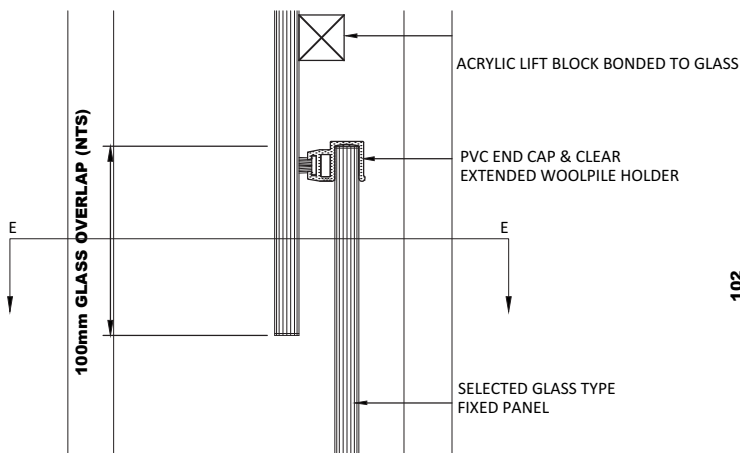
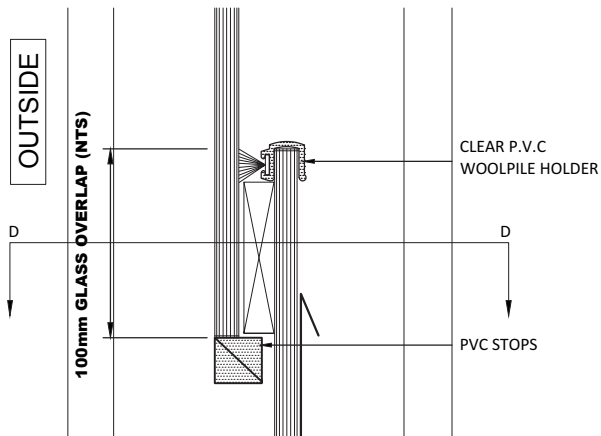
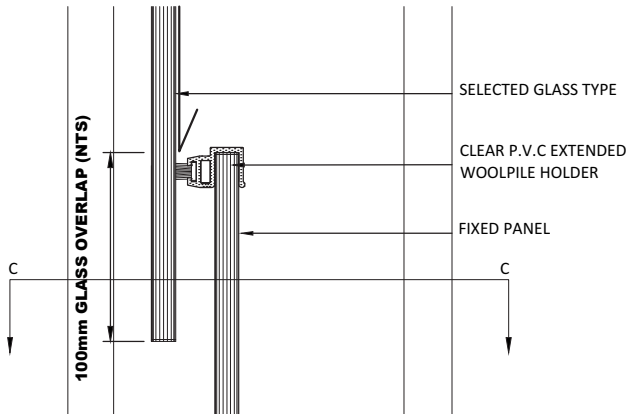
**(B) Sill Detail**

**Typical Elevation 2**

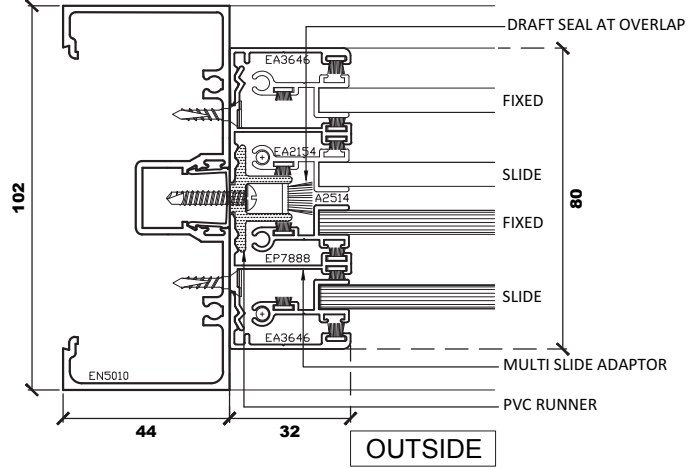


JAMB AND OVERLAP

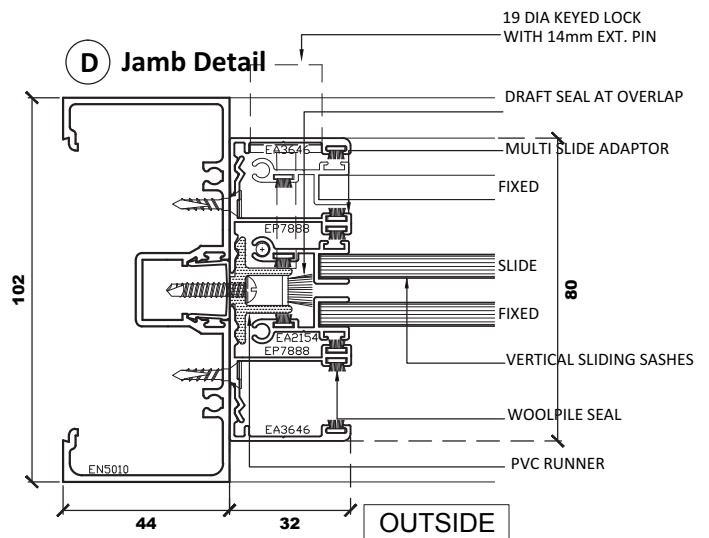
Glass Overlap Detail



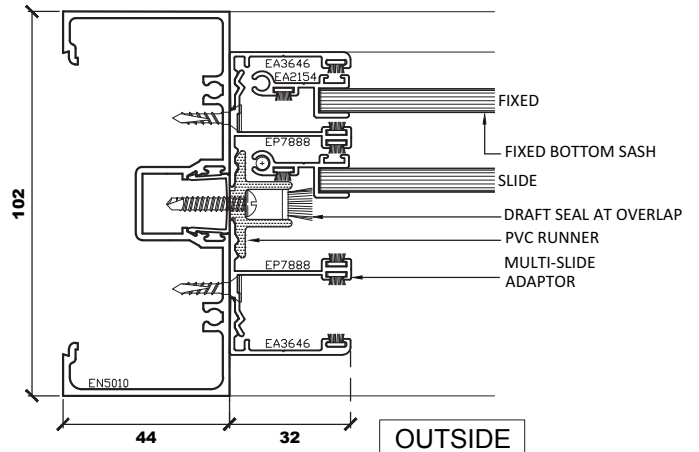
C Jamb Detail



D Jamb Detail

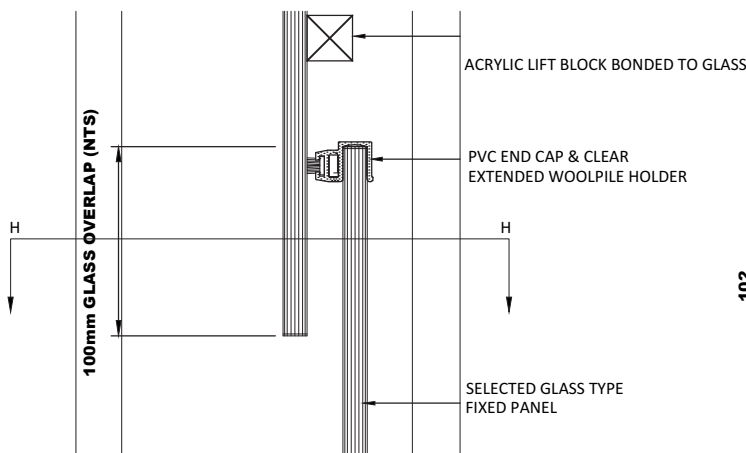
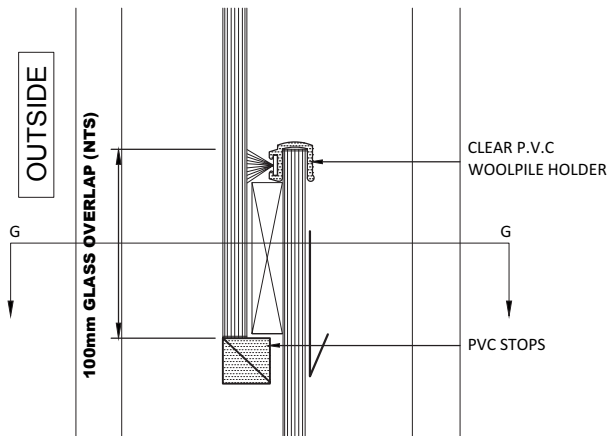
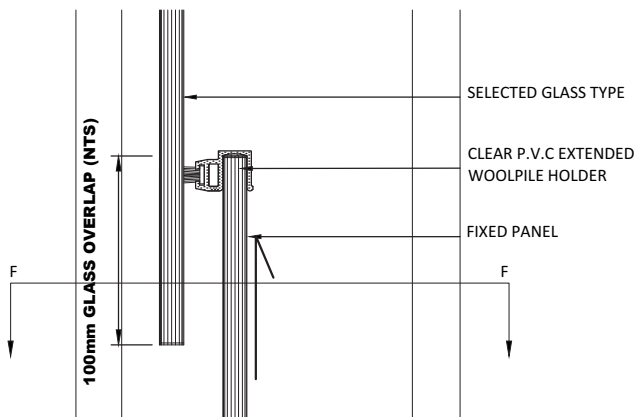


E Jamb Detail

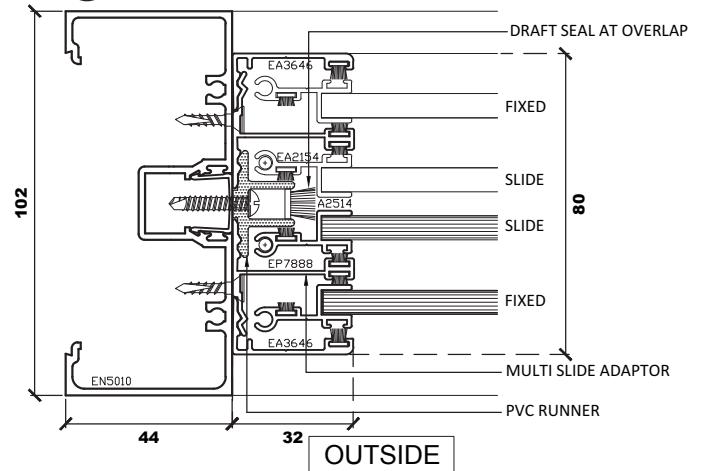


JAMB AND OVERLAP

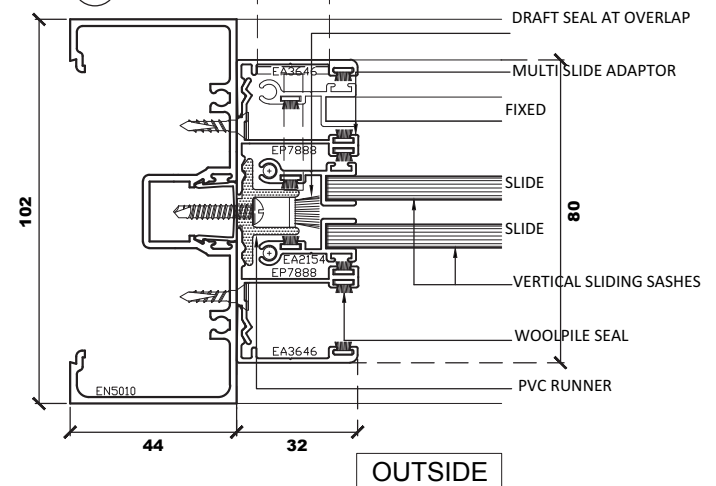
Glass Overlap Detail



F Jamb Detail



G Jamb Detail



H Jamb Detail

