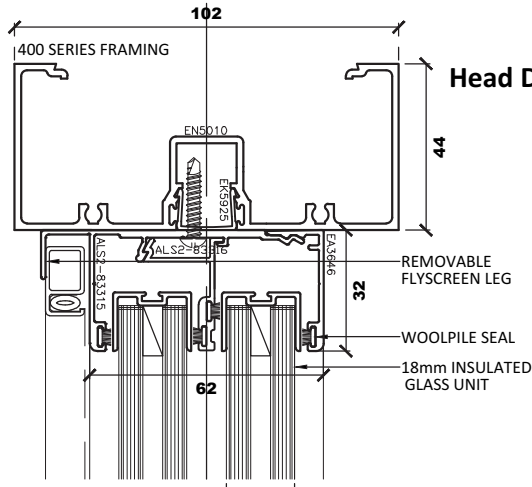


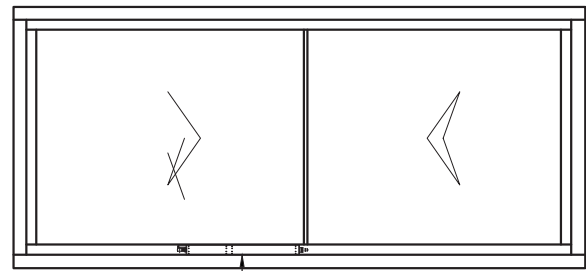
HEAD, SILL AND JAMB



Head Detail

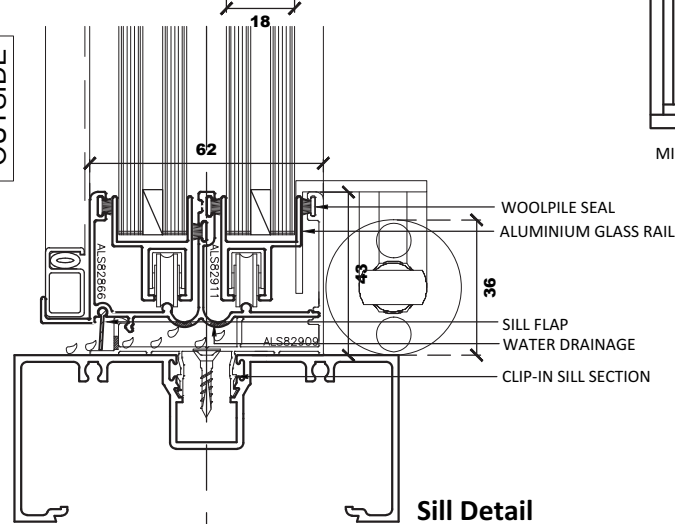
NOTES: MAXIMUM SASH OPENING 1000MM
 MAXIMUM SASHLESS WINDOW WIDTH 1500MM

Typical Elevation (internal)



MINIMUM 602mm LONG x 36 Ø SINGLE DRIVE MOTOR

OUTSIDE

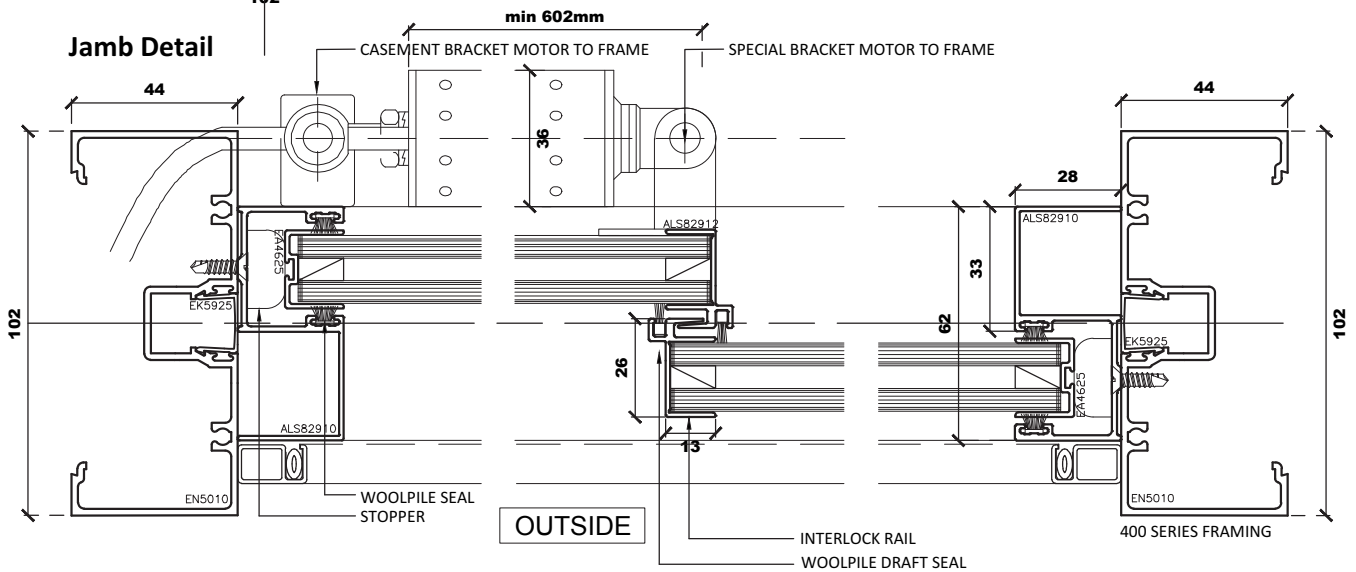


Sill Detail

400 SERIES FRAMING

102

Jamb Detail



OUTSIDE

INTERLOCK RAIL
 WOOLPILE DRAFT SEAL

400 SERIES FRAMING