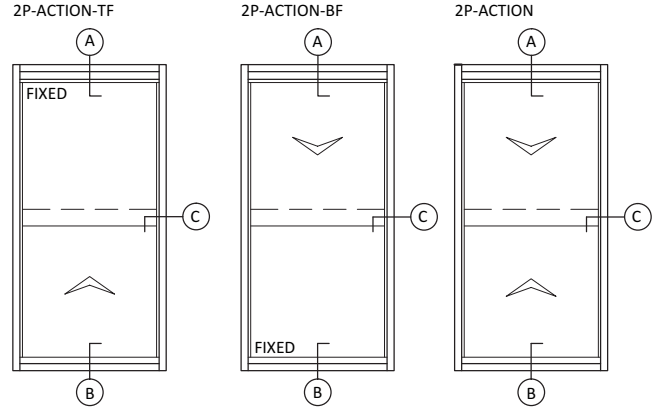
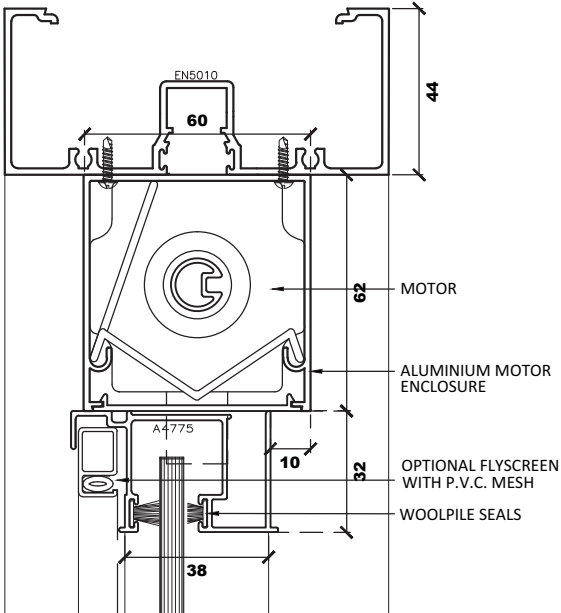


HEAD, SILL AND JAMB

A Head Detail



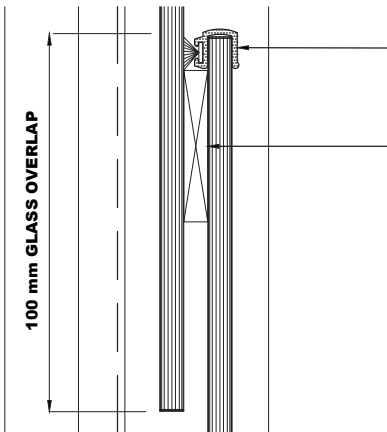
OUTSIDE

100 mm GLASS OVERLAP

CLEAR P.V.C WOOLPILE HOLDER

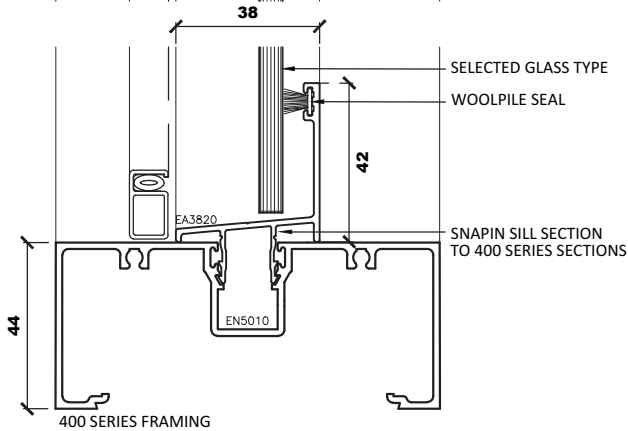
DRAFT SEAL

Glass Overlap Detail



SELECTED GLASS TYPE
 WOOLPILE SEAL

SNAPIN SILL SECTION
 TO 400 SERIES SECTIONS



B Sill Detail

C Jamb Detail

