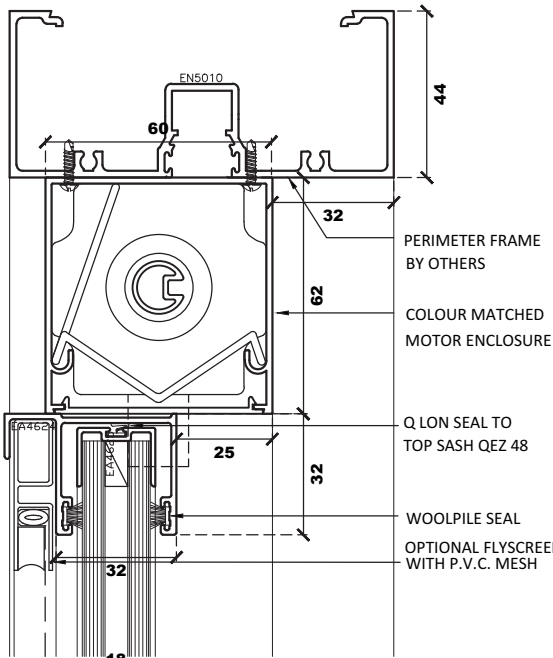
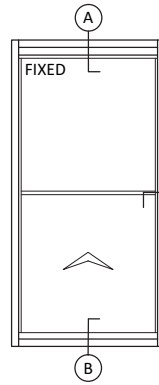


HEAD, SILL AND JAMB

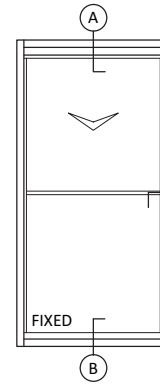
A Head Detail



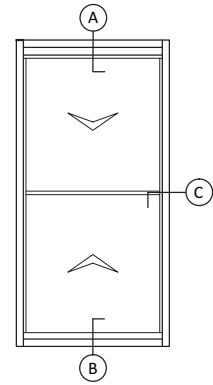
2P-ACTION-TF



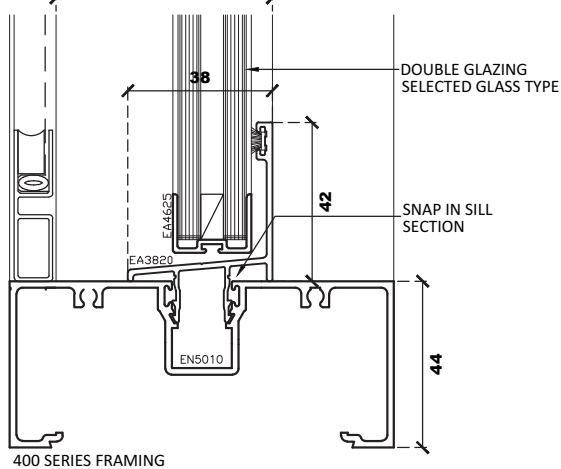
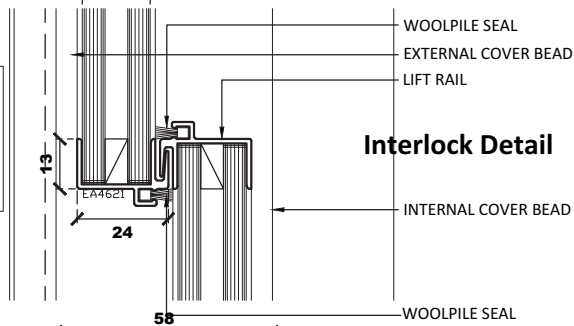
2P-ACTION-BF



2P-ACTION



OUTSIDE



B Sill Detail

C Jamb Detail

