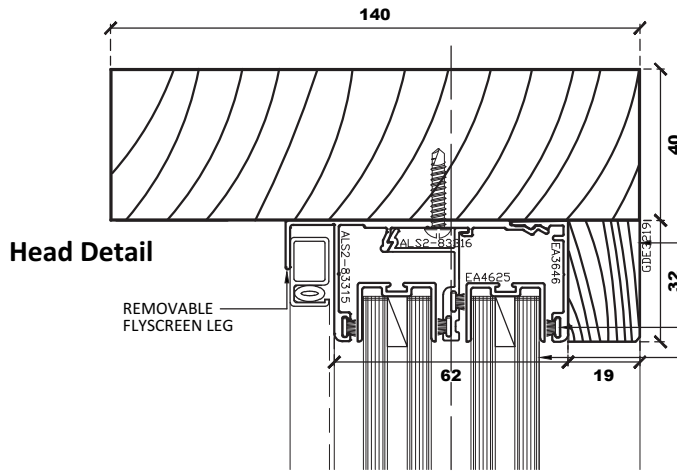


AUSTVIEW SASHLESS TIMBER DOUBLE GLAZED  
HORIZONTAL SLIDER,  
FIXED TO TIMBER FRAME



HEAD, SILL AND JAMB



NOTES: TIMBER COVERS BY OTHERS (COVERS CAN ONLY BE FITTED AFTER THE INSERT HAS BEEN INSTALLED)

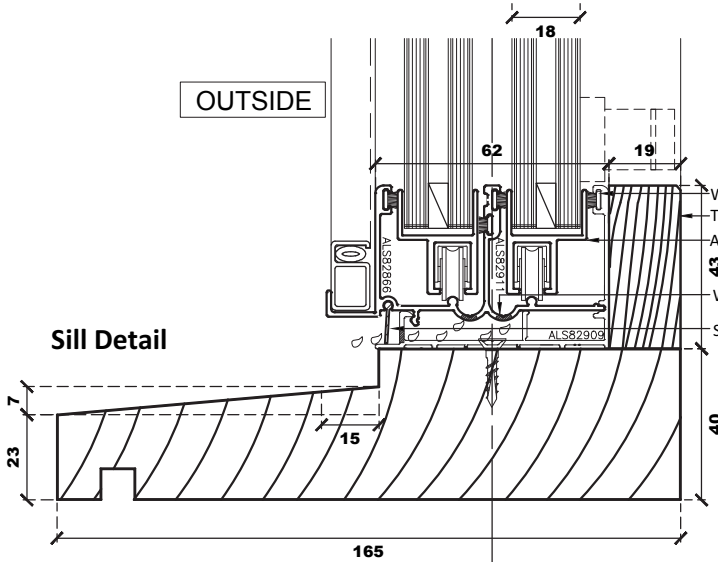
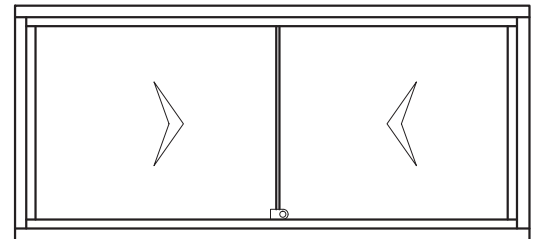
Head Detail

REMOVABLE FLYSCREEN LEG

TIMBER COVERS BY OTHERS

WOOLPILE SEAL  
18mm INSULATED GLASS UNIT

Typical Elevation (internal)



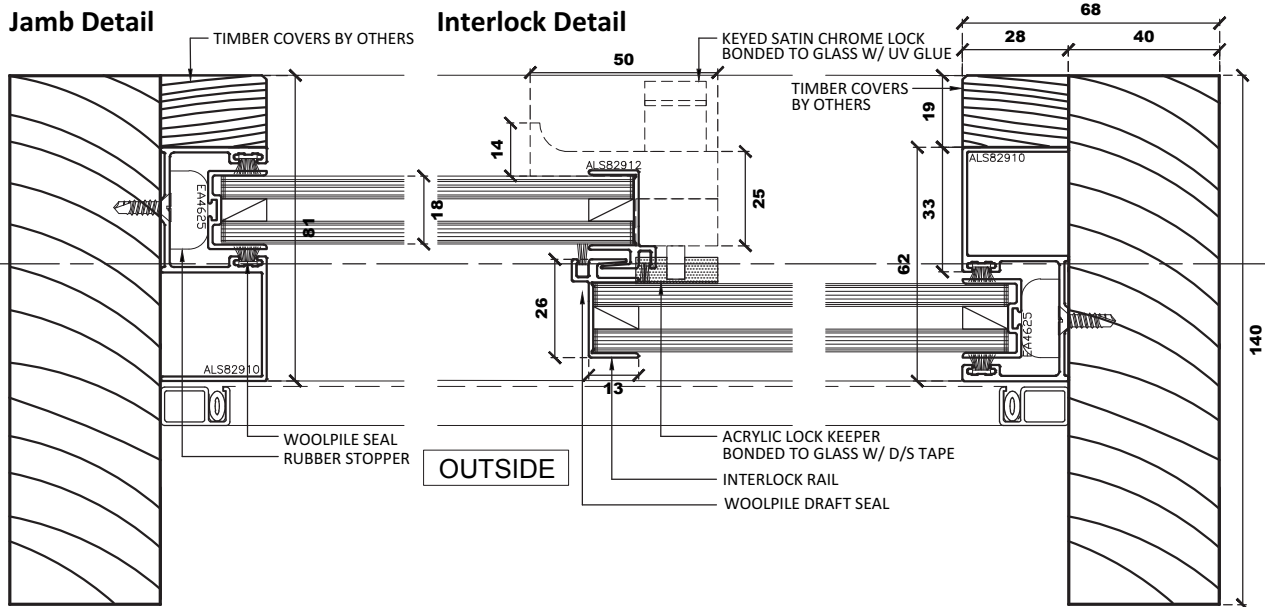
Sill Detail

OUTSIDE

WOOLPILE SEAL  
TIMBER COVERS BY OTHERS  
ALUMINIUM GLASS RAIL  
WATER DRAINAGE  
SILL FLAP

Jamb Detail

Interlock Detail



TIMBER COVERS BY OTHERS

KEYED SATIN CHROME LOCK BONDED TO GLASS W/ UV GLUE

TIMBER COVERS BY OTHERS

WOOLPILE SEAL  
RUBBER STOPPER

OUTSIDE

ACRYLIC LOCK KEEPER BONDED TO GLASS W/ D/S TAPE  
INTERLOCK RAIL  
WOOLPILE DRAFT SEAL



Australian Standard 2047