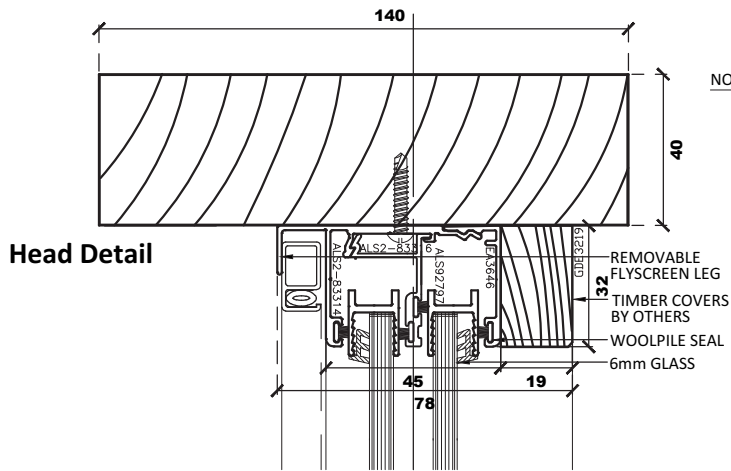
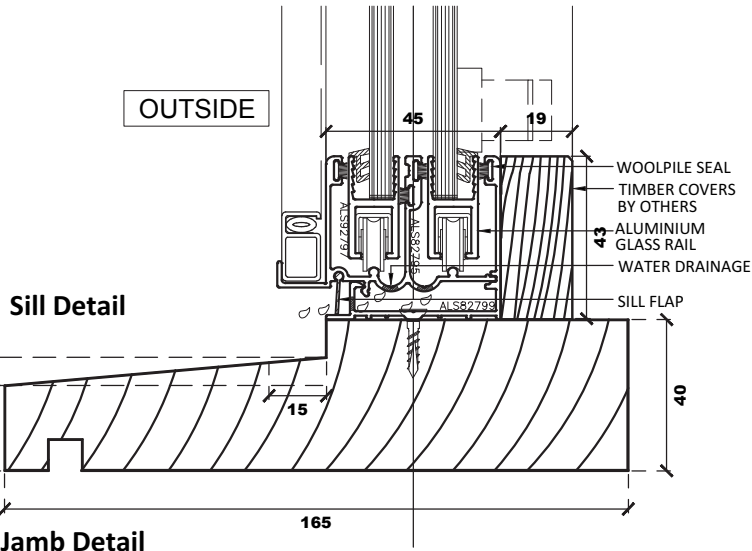


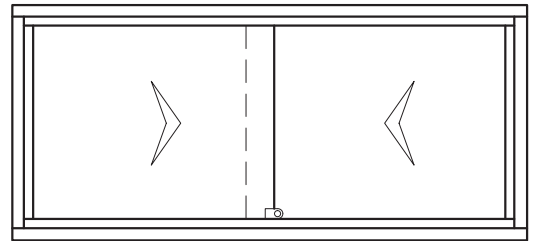
HEAD, SILL AND JAMB



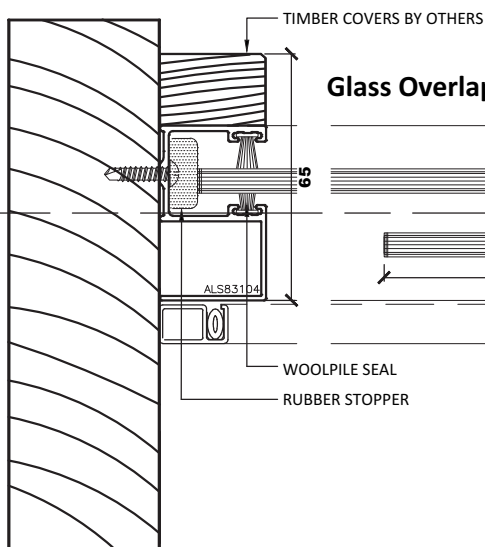
NOTES: TIMBER COVERS BY OTHERS (COVERS CAN ONLY BE FITTED AFTER THE INSERT HAS BEEN INSTALLED)



Typical Elevation (internal)



Jamb Detail



Glass Overlap Detail

