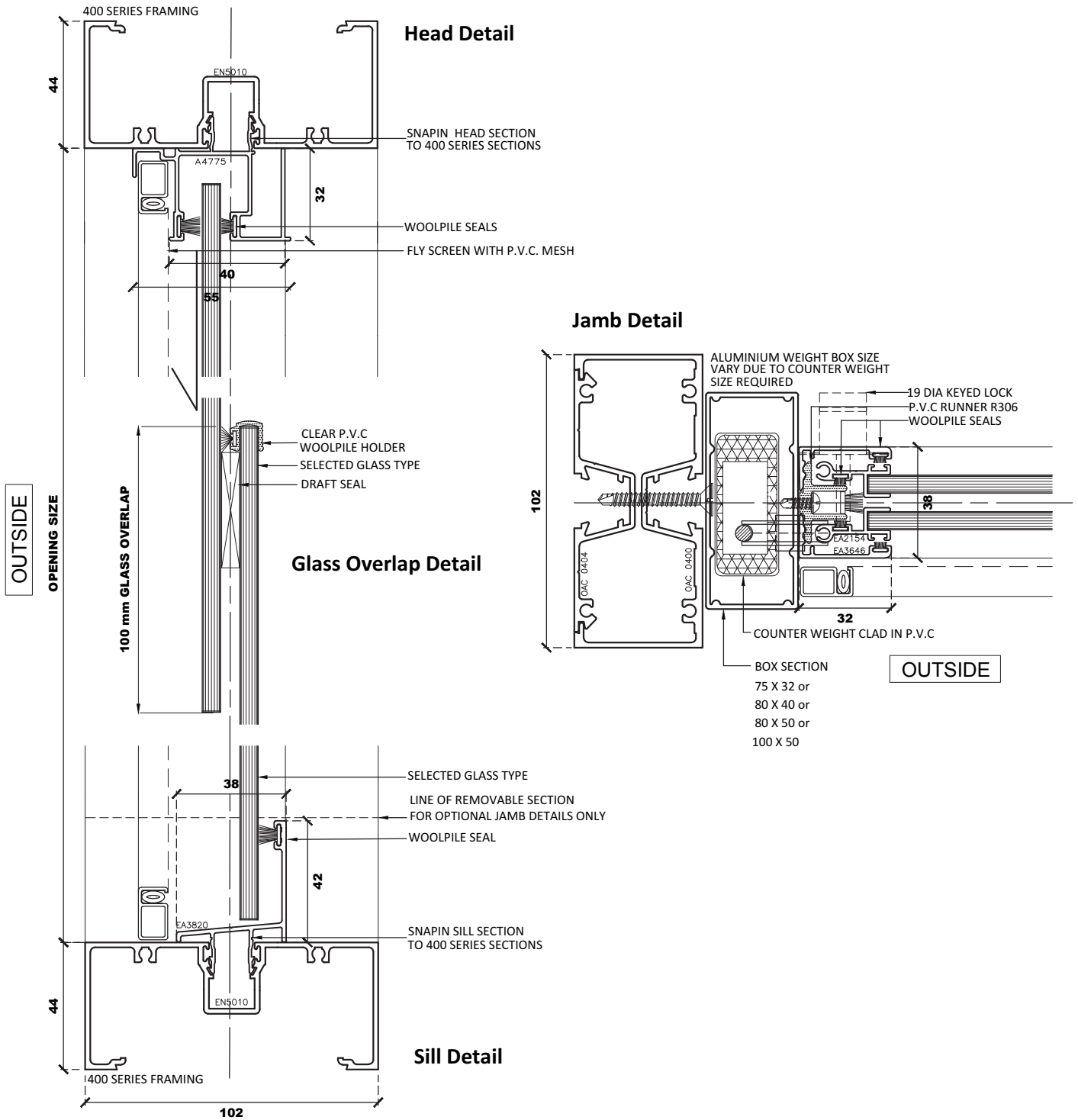


HEAD, SILL AND JAMB

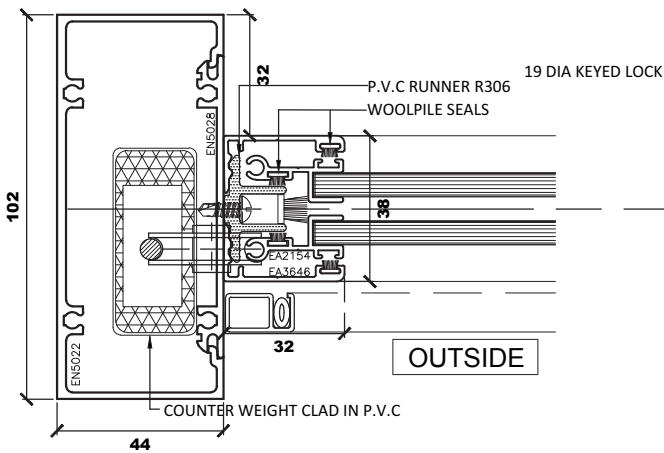


OPTIONAL JAMB AND MULLION

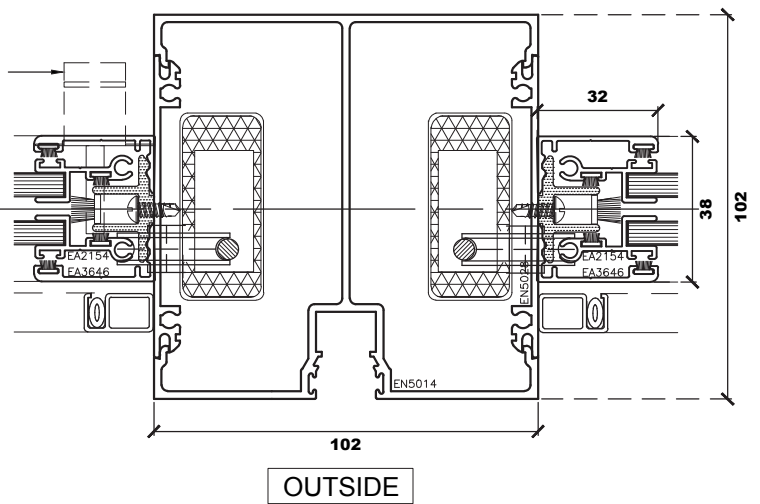
NOTE

FOR WINDOW WIDTH WIDER THAN 1200mm
USE MULLION DETAIL A OR B OF THE
STANDARD SINGLE SLIDE SASHLESS WINDOW

Optional Jamb Detail A

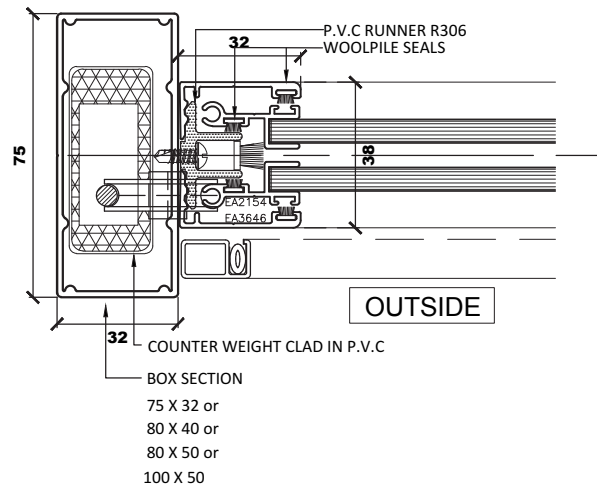


Optional Mullion Detail A



Optional Jamb Detail B

ALUMINIUM WEIGHT BOX SIZE
VARY DUE TO COUNTER WEIGHT
SIZE REQUIRED



Optional Mullion Detail B

ALUMINIUM WEIGHT BOX SIZE
VARY DUE TO COUNTER WEIGHT
SIZE REQUIRED

