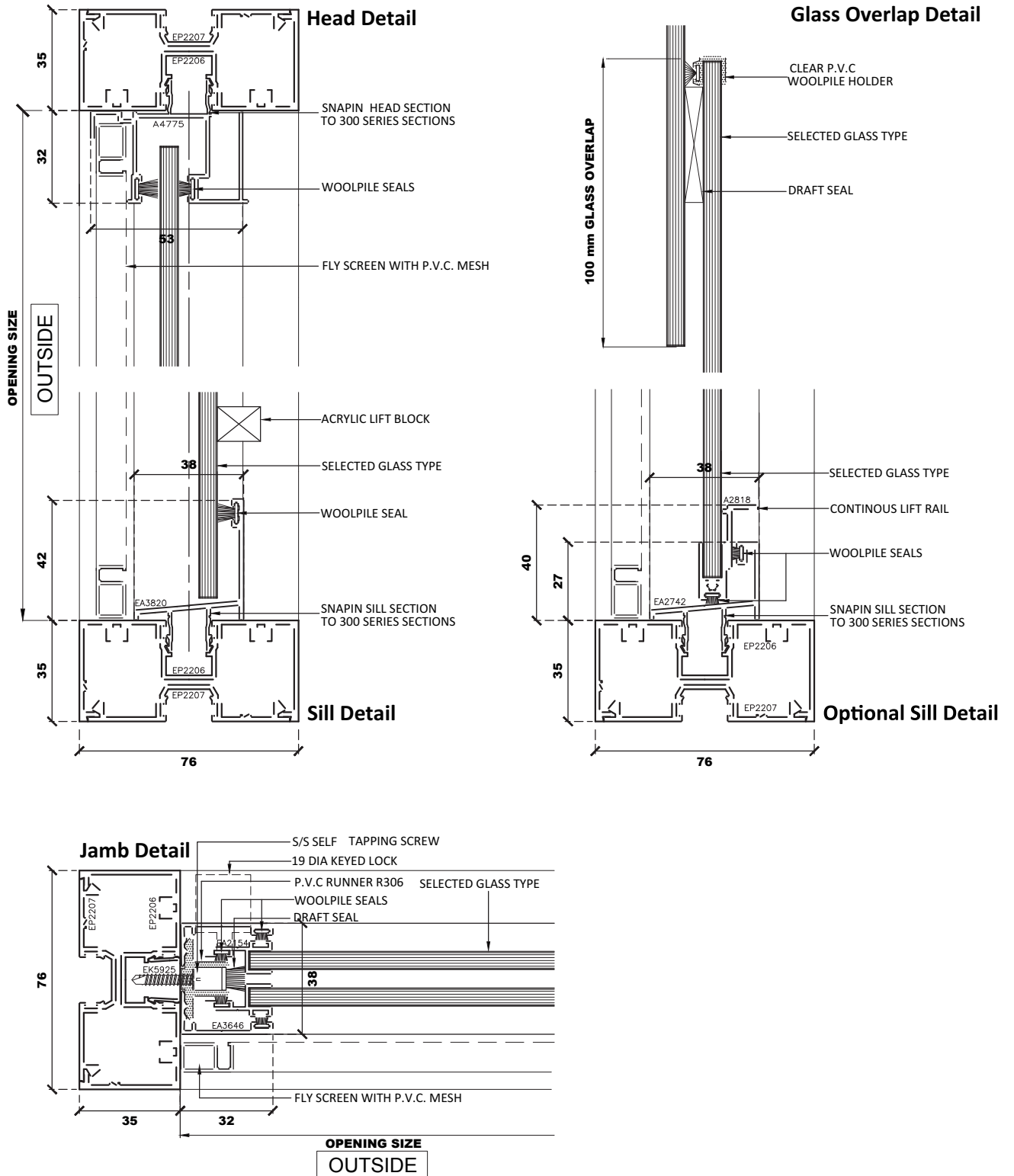


HEAD, SILL AND JAMB



MULLION WITH DOUBLE SASHES

