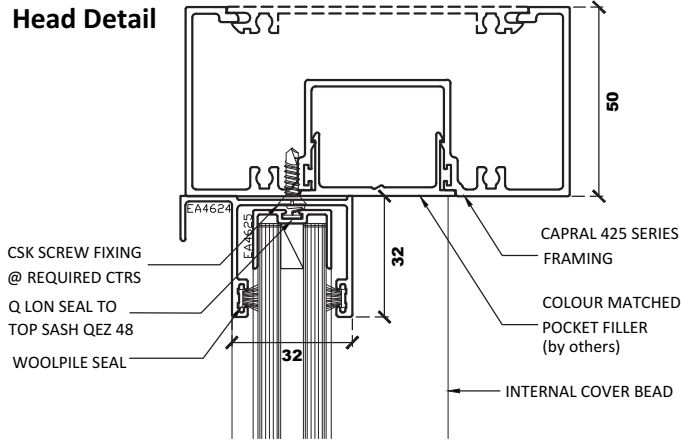


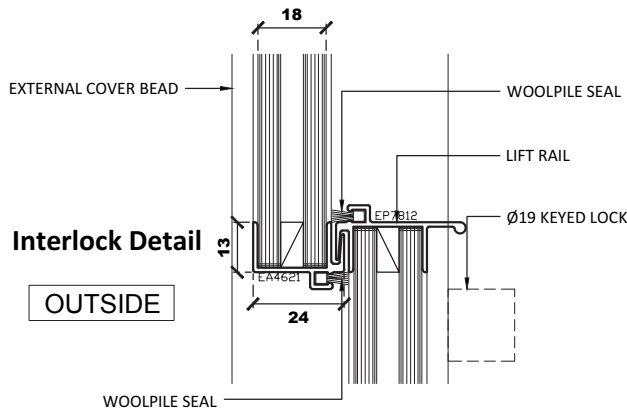
HEAD, SILL AND JAMB

NOTE: POCKET FILLER REQUIRED ALL ROUND

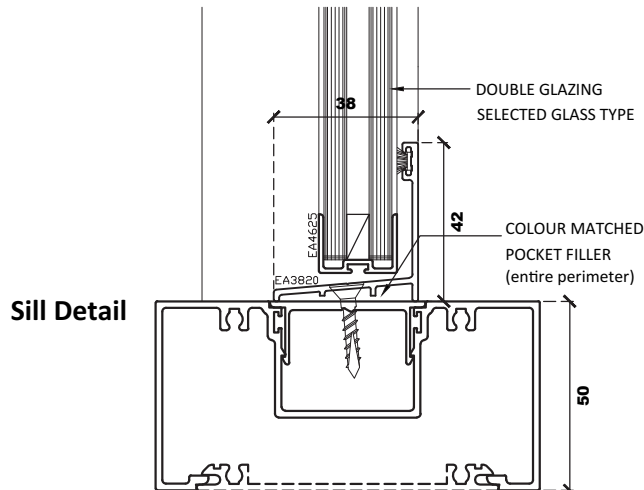
Head Detail



Interlock Detail



Sill Detail



Jamb Detail

