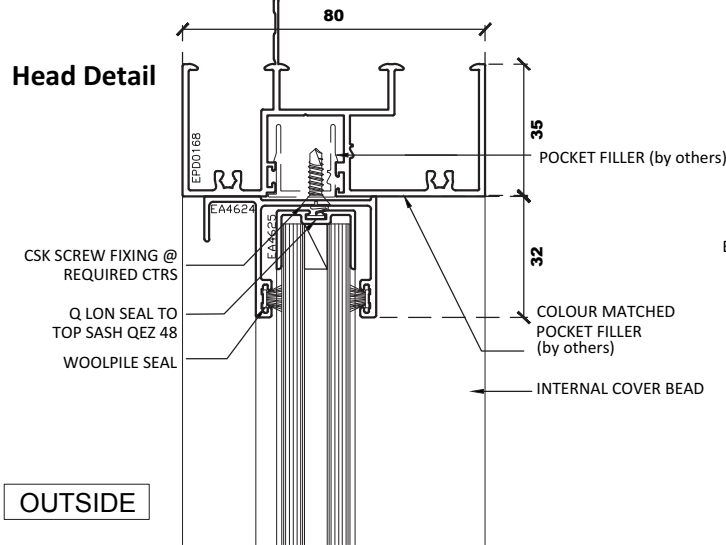
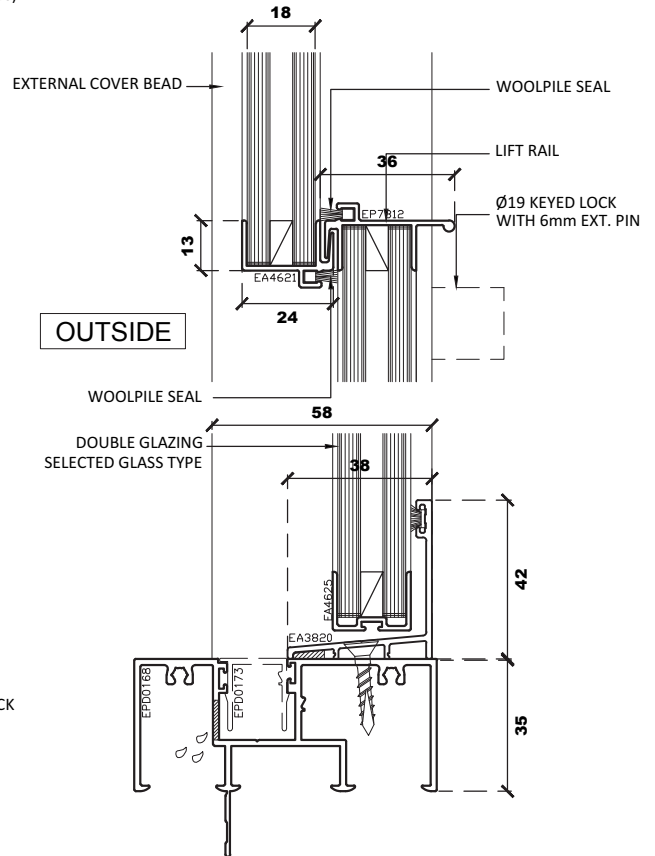


HEAD, SILL AND JAMB

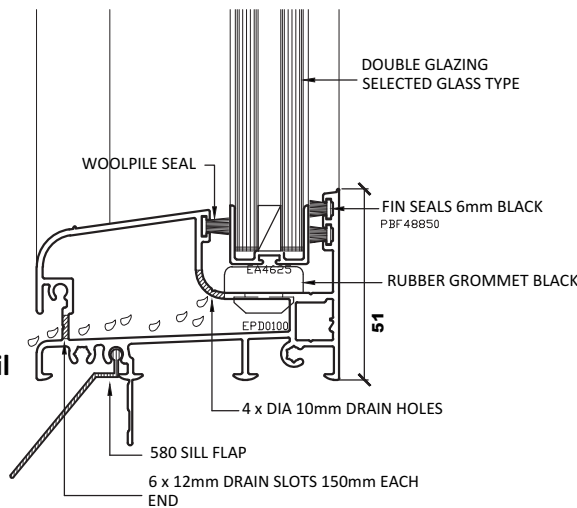
Head Detail



Interlock Detail

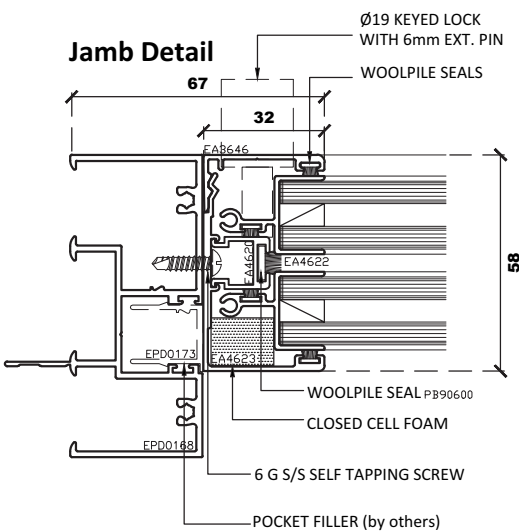


Sill Detail



Optional Sill Detail
(recommended with use of subsill)

Jamb Detail



Jamb Detail

