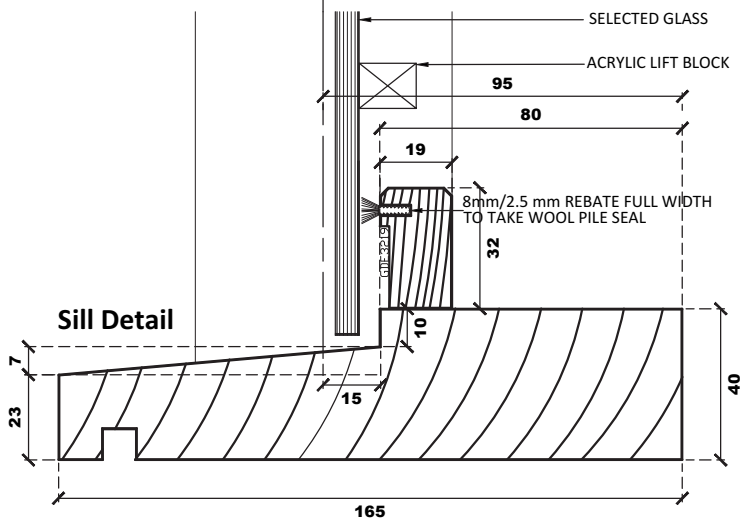
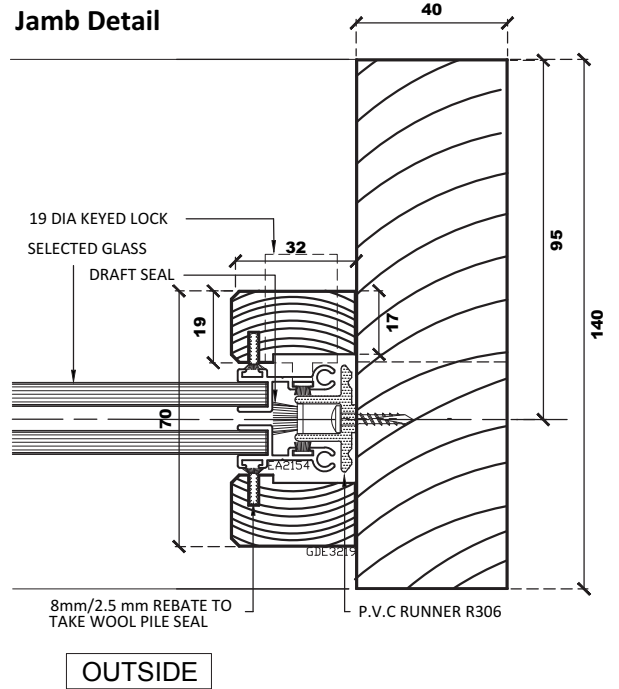
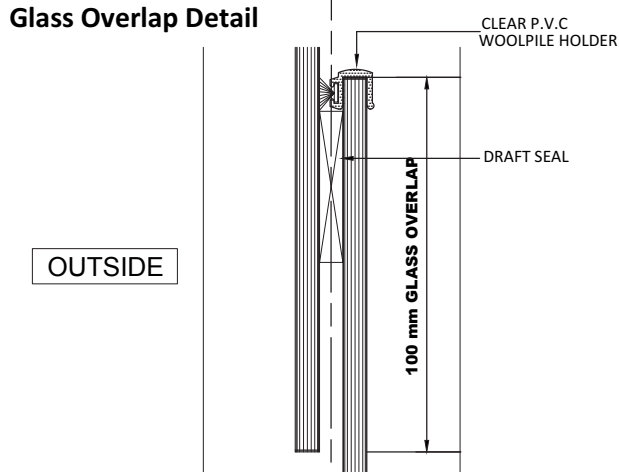
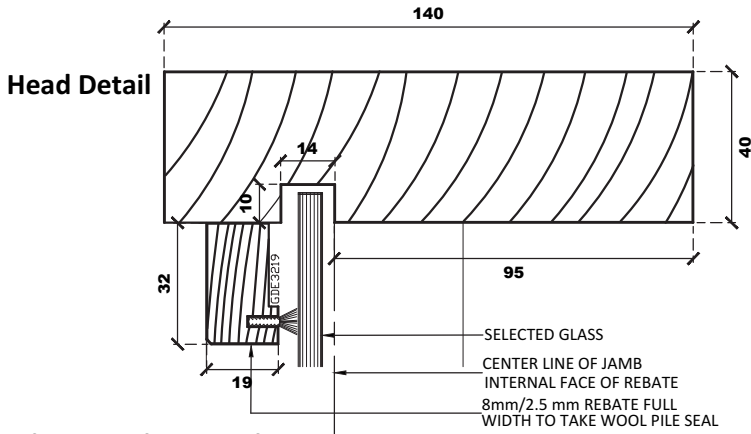
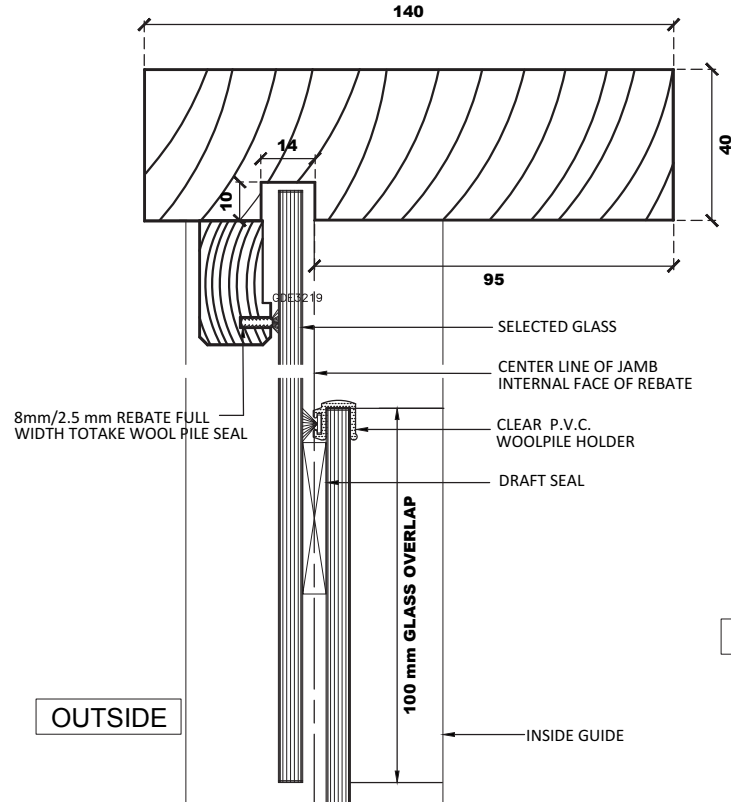


HEAD, SILL AND JAMB

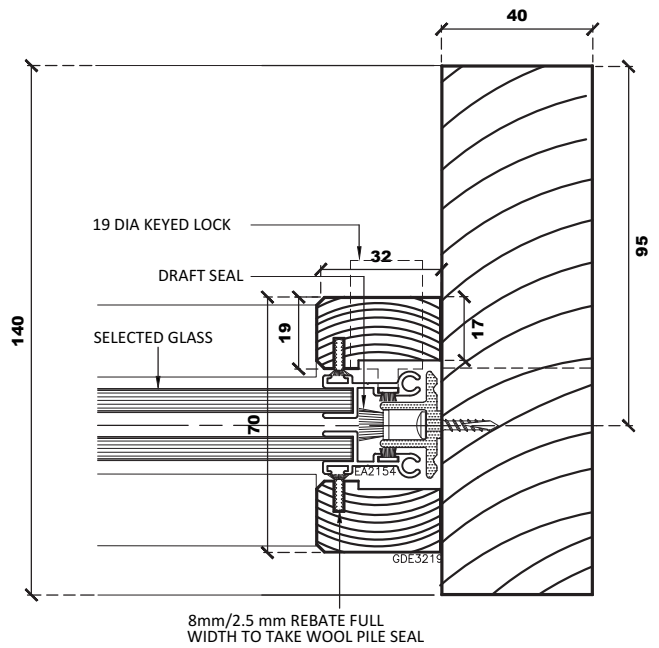
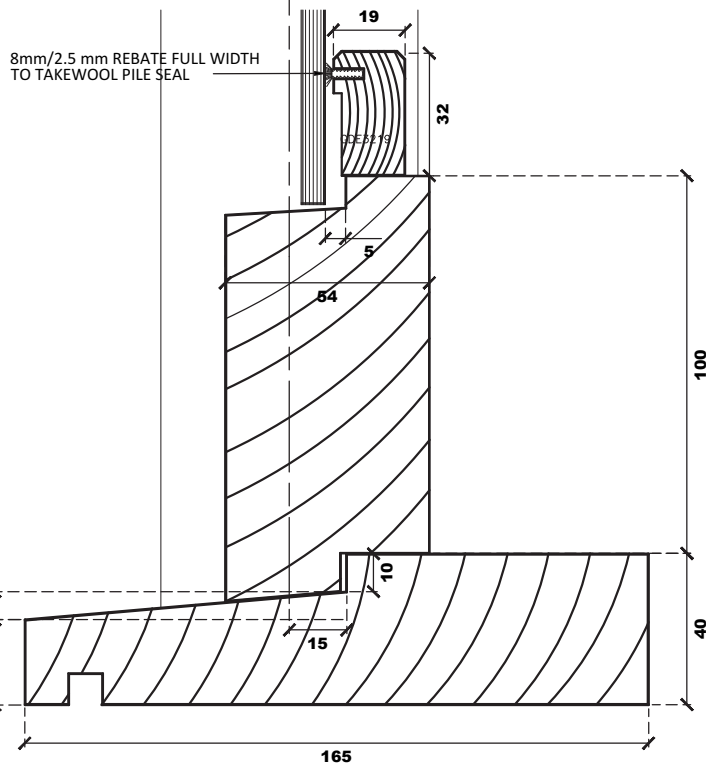
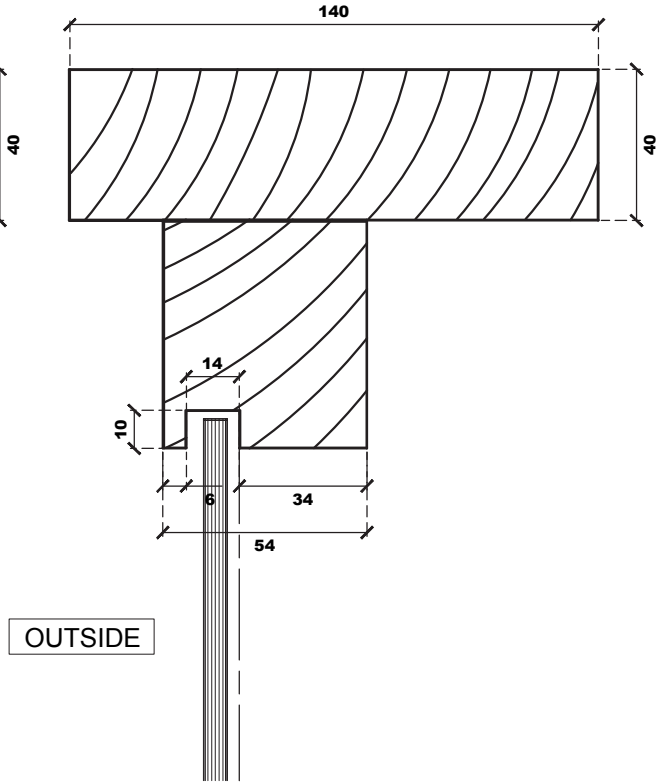


KICK RAIL, HEAD, SILL AND JAMB

Head Detail



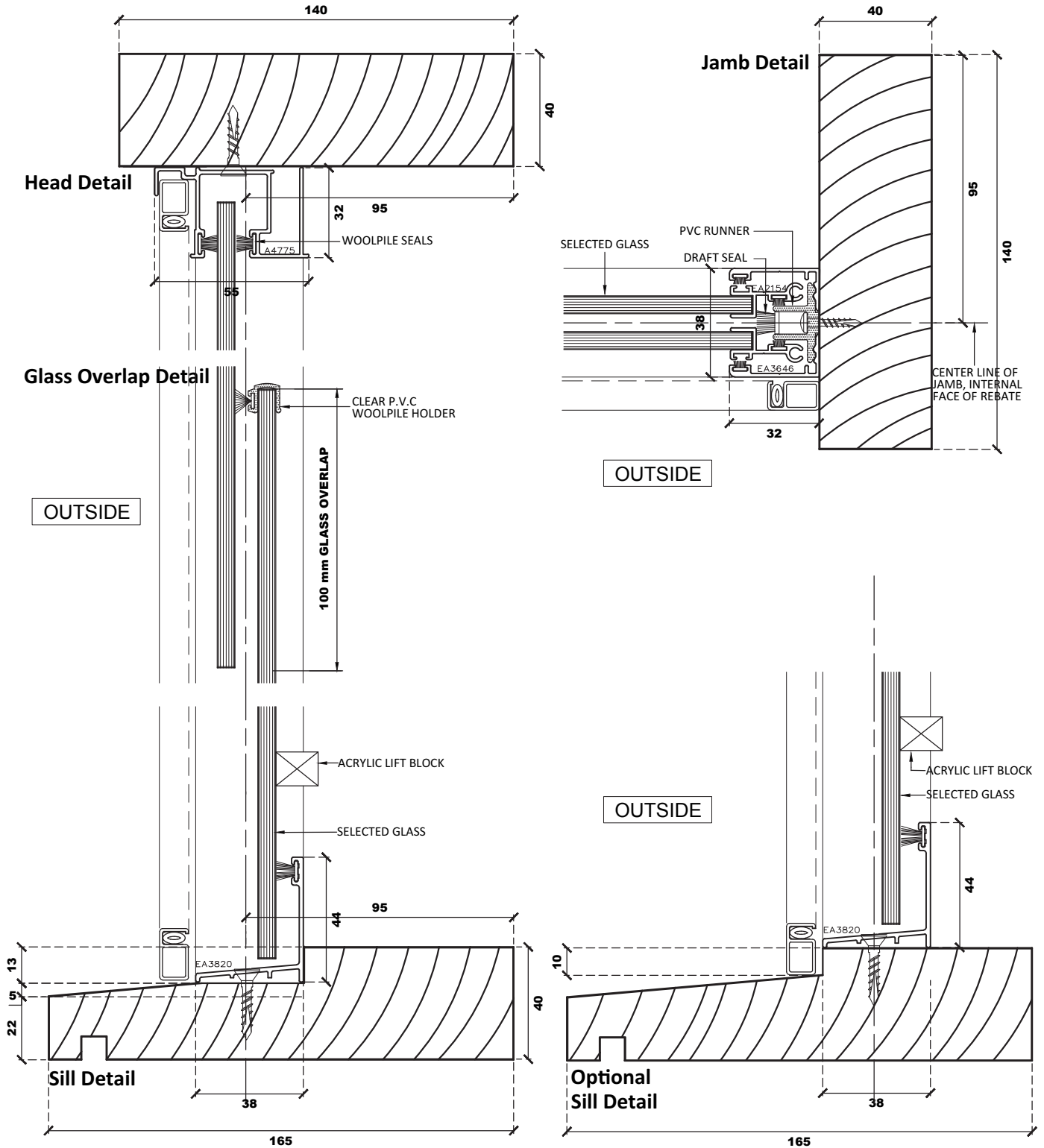
Optional Head Detail



Sill Detail

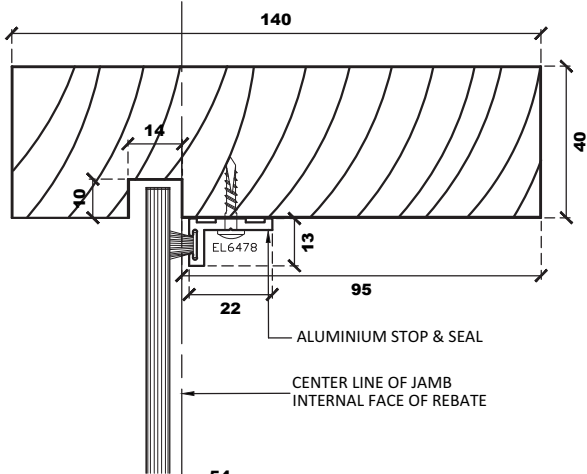
Jamb Detail

HEAD, SILL AND JAMB

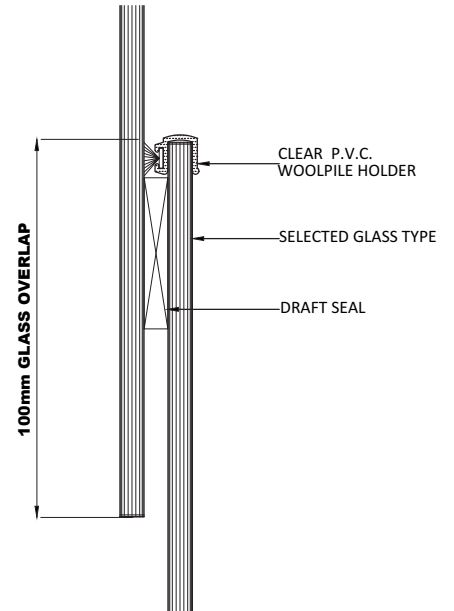


KICK RAIL, HEAD, SILL AND JAMB

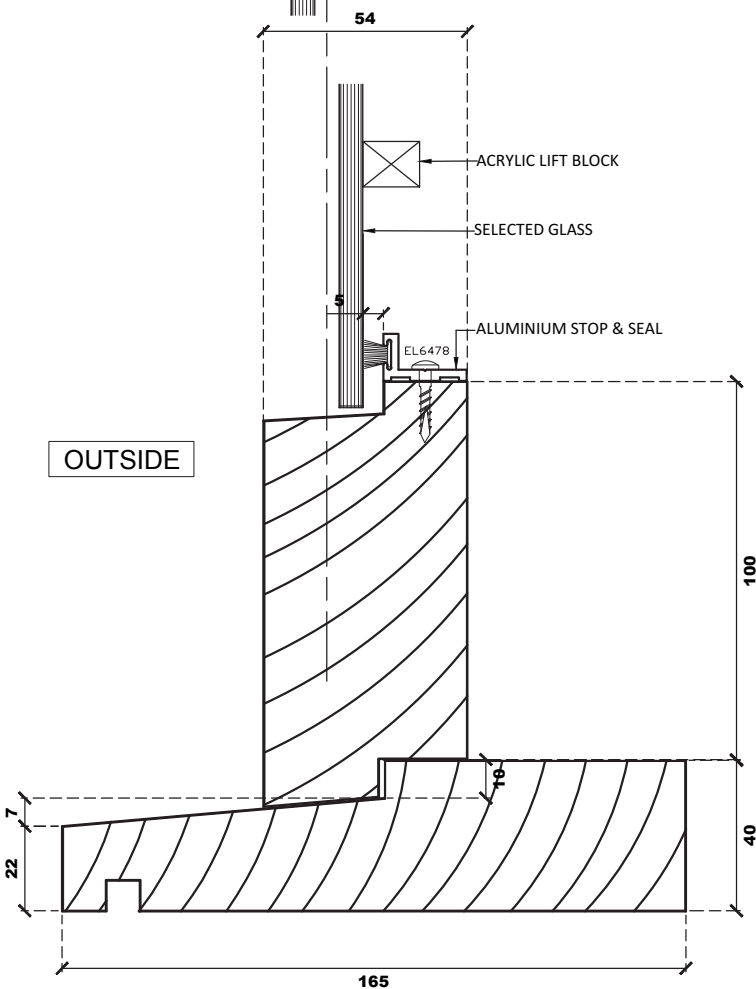
Head Detail



Typical Lap Detail

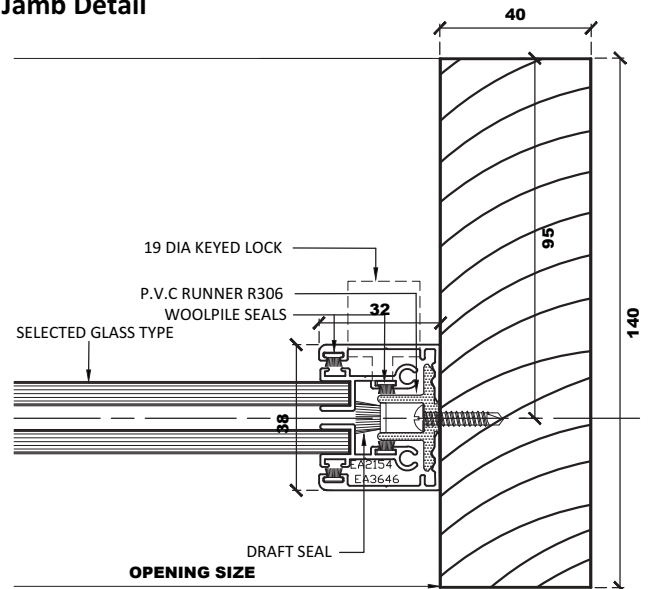


OUTSIDE



Sill Detail

Jamb Detail



OUTSIDE