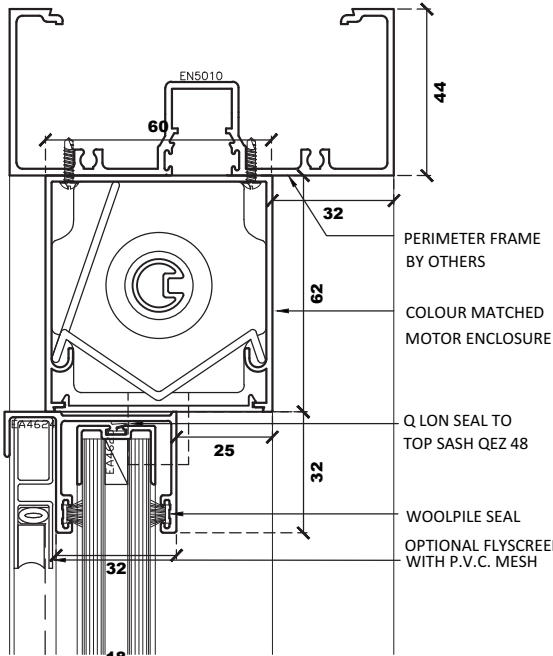
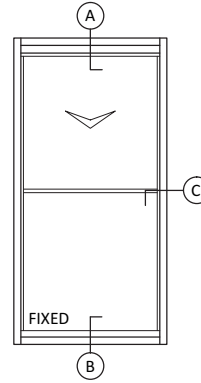


HEAD, SILL AND JAMB

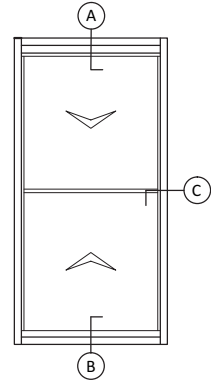
A Head Detail



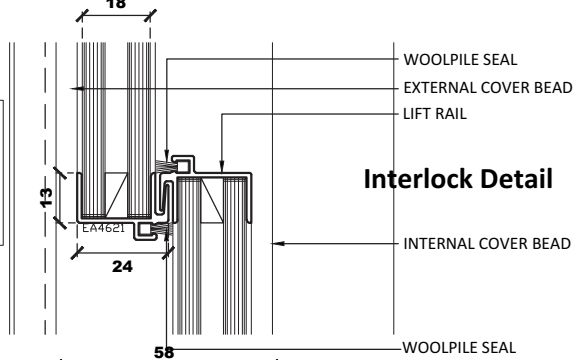
2P-ACTION-BF



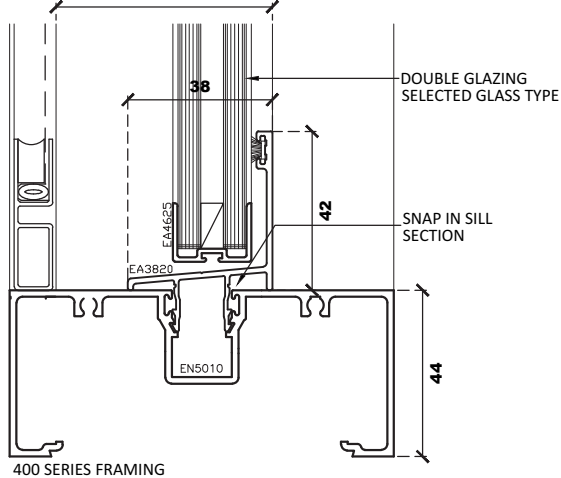
2P-ACTION



OUTSIDE



Interlock Detail



B Sill Detail

C Jamb Detail

