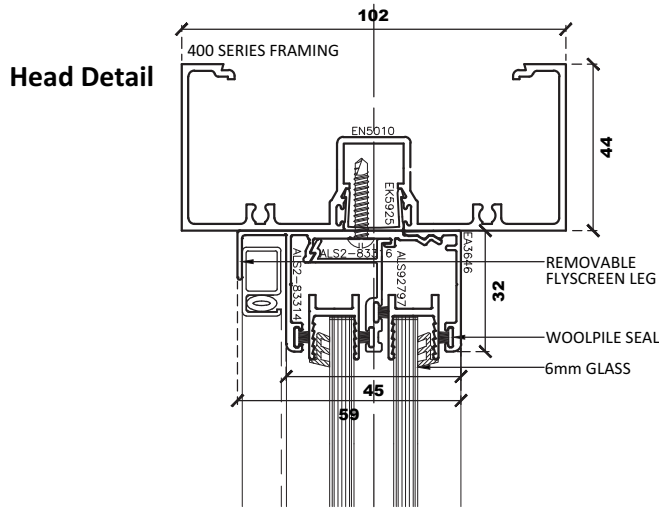
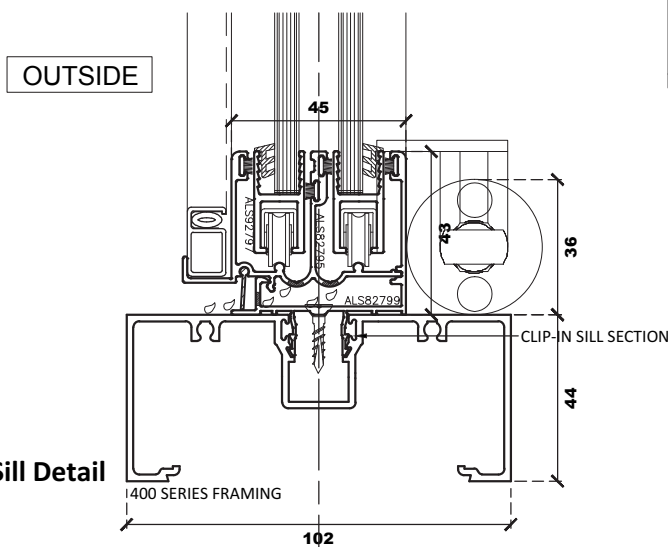
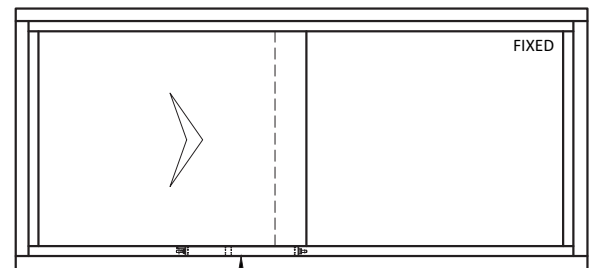


HEAD, SILL AND JAMB



NOTES: MAXIMUM SASH OPENING 1000MM
MAXIMUM SASHLESS WINDOW WIDTH 1500MM

Typical Elevation (internal)



Jamb Detail

