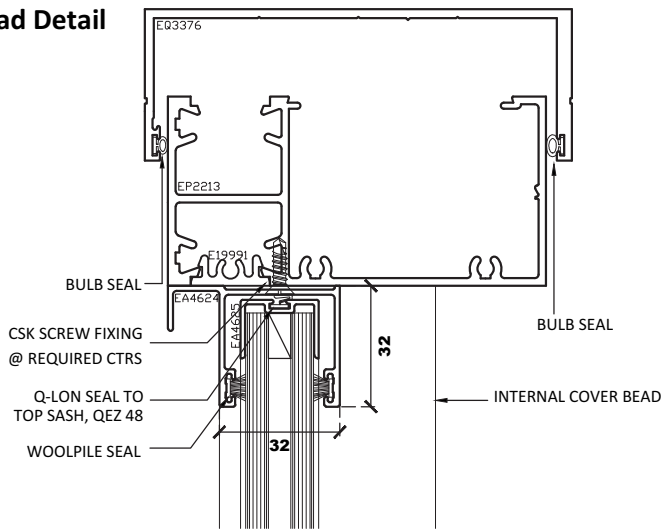
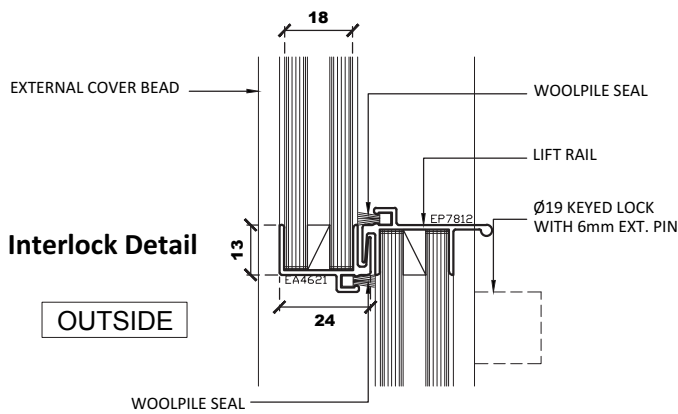


HEAD, SILL AND JAMB

Head Detail

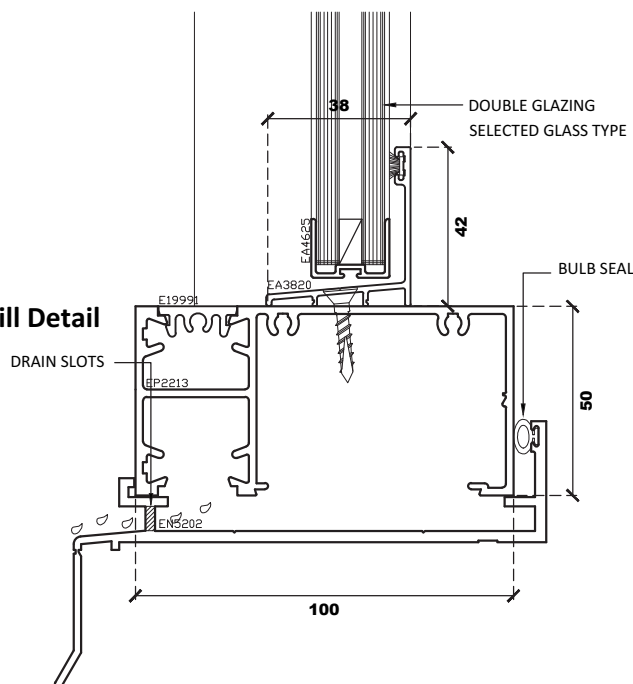


Interlock Detail



OUTSIDE

Sill Detail



Jamb Detail

