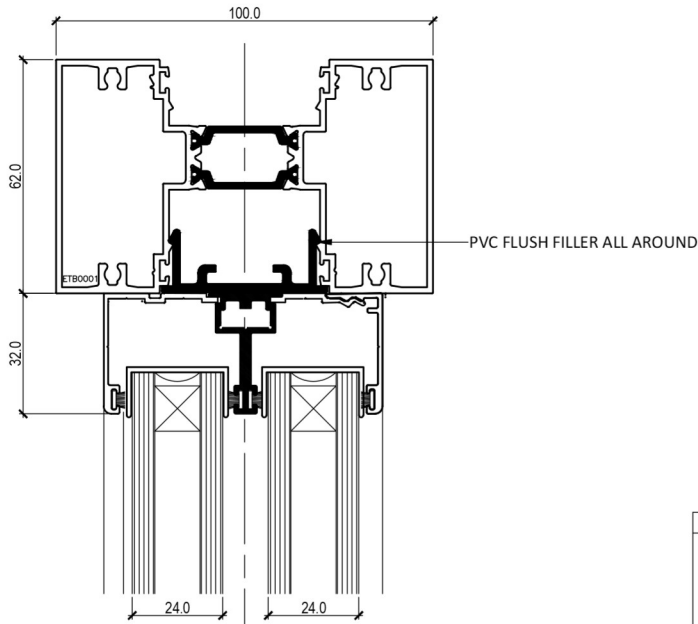


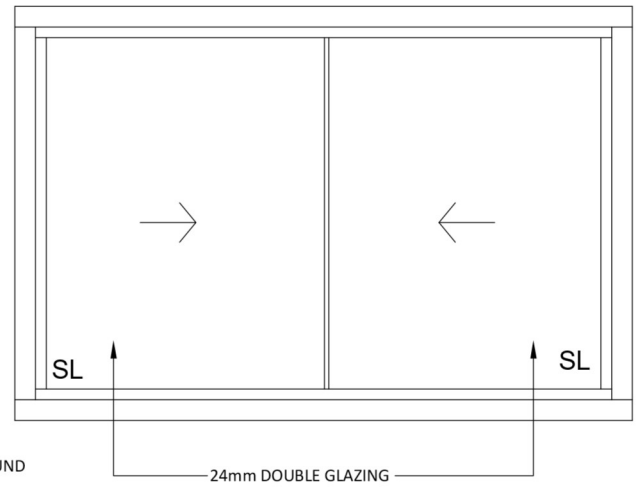
Head, Sill, Interlock and Jamb

Scale 1 : 2

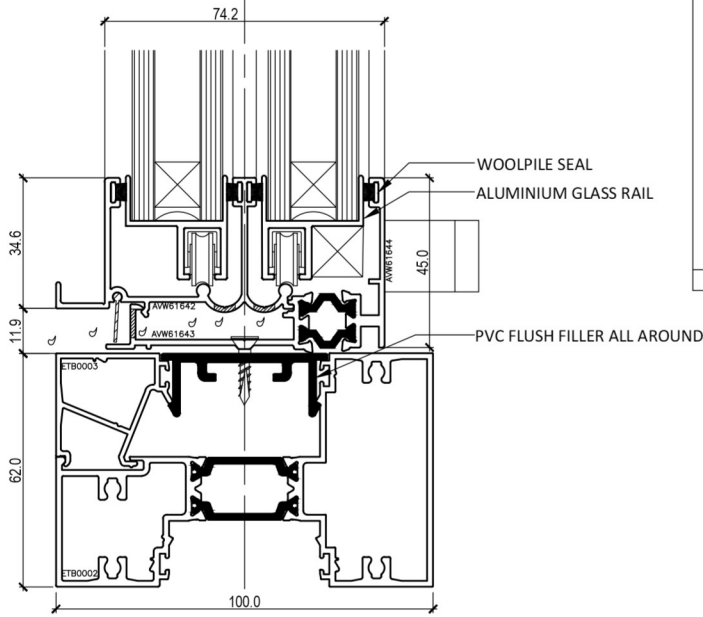
Head Detail



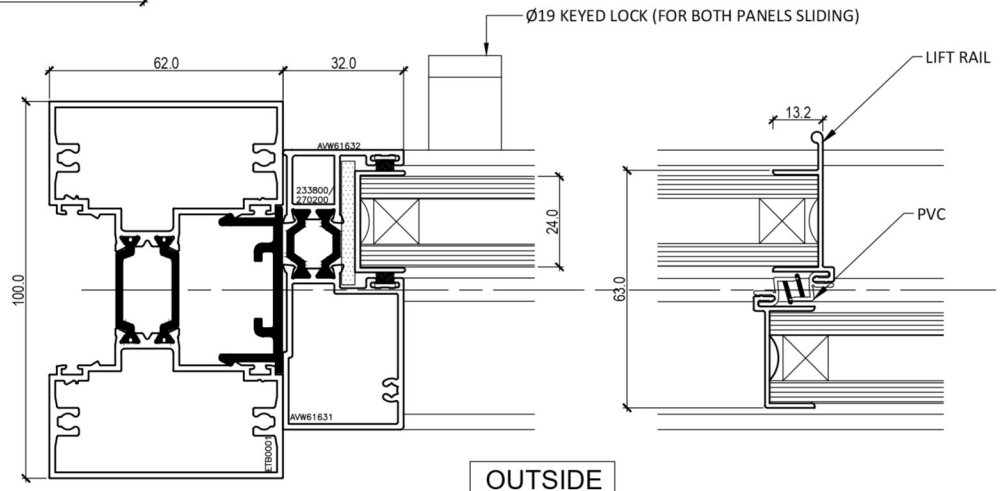
Typical Elevation (External)



OUTSIDE



Sill Detail



Jamb Detail

Interlock Detail