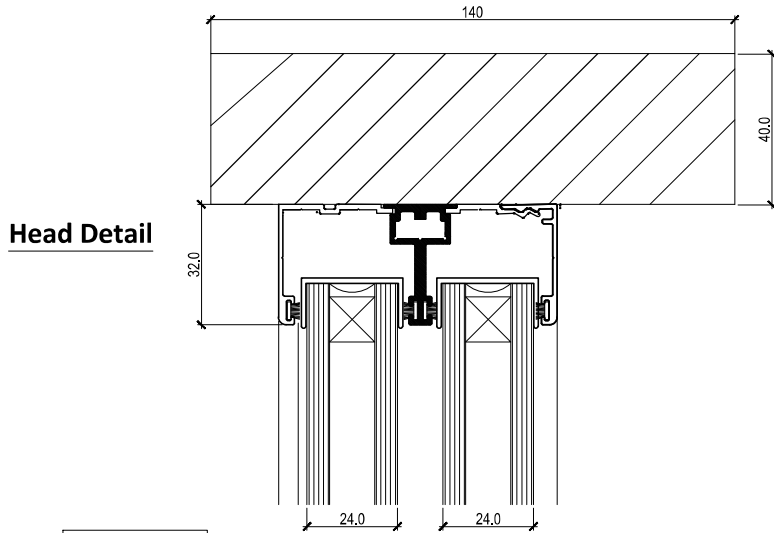
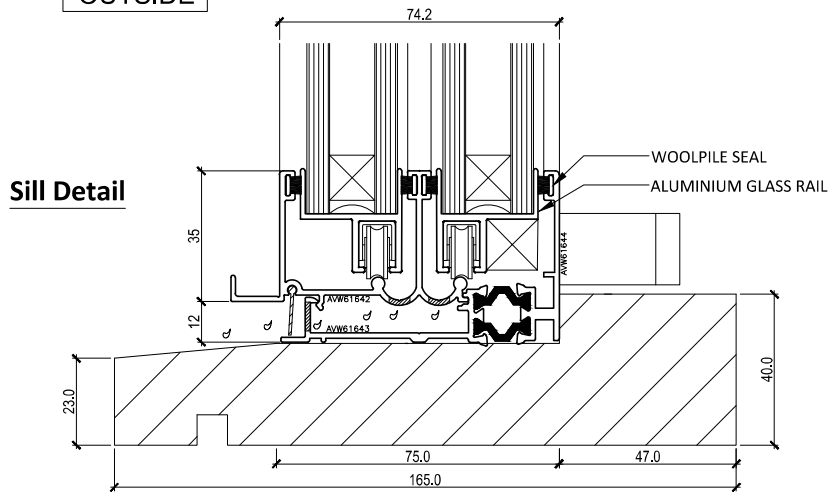


Head, Sill, Interlock and Jamb

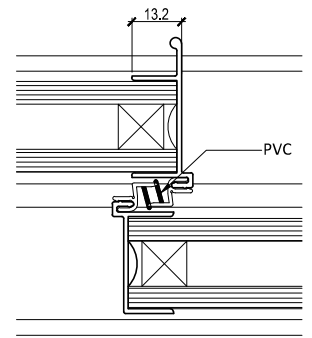
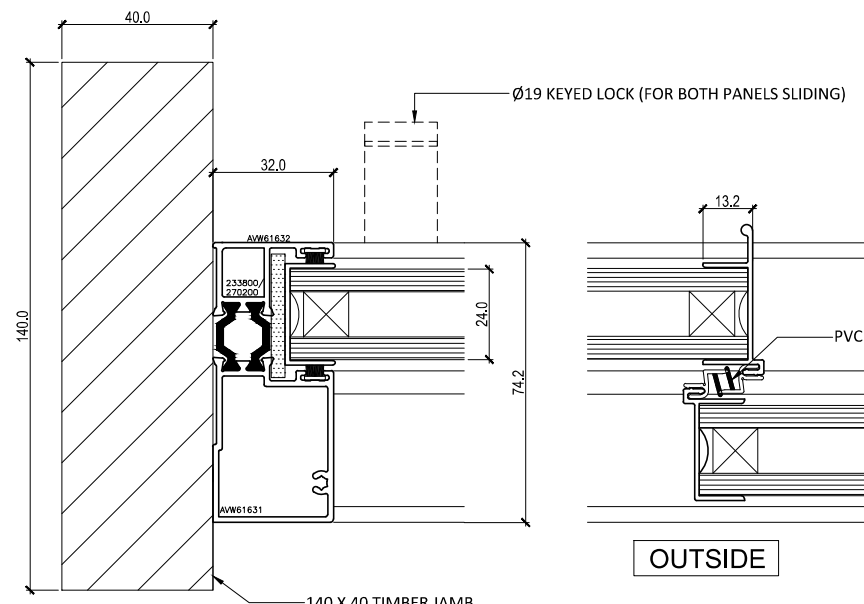
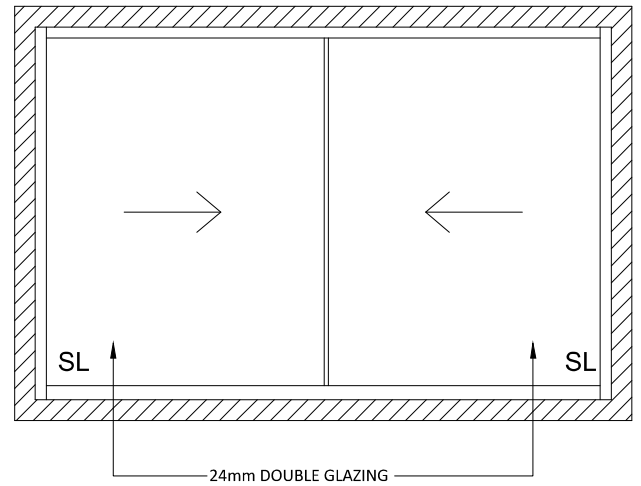
Scale 1 : 2



OUTSIDE



Typical Elevation (External)



OUTSIDE

Interlock Detail