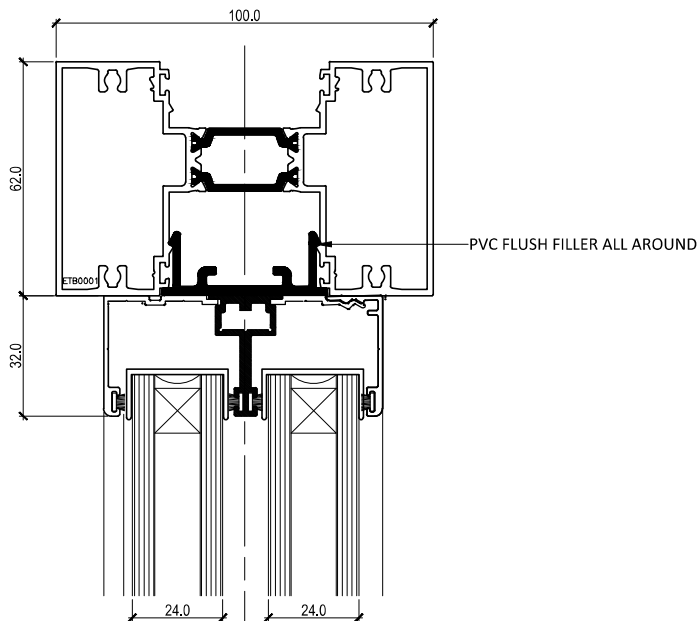


Head, Sill, Interlock and Jamb

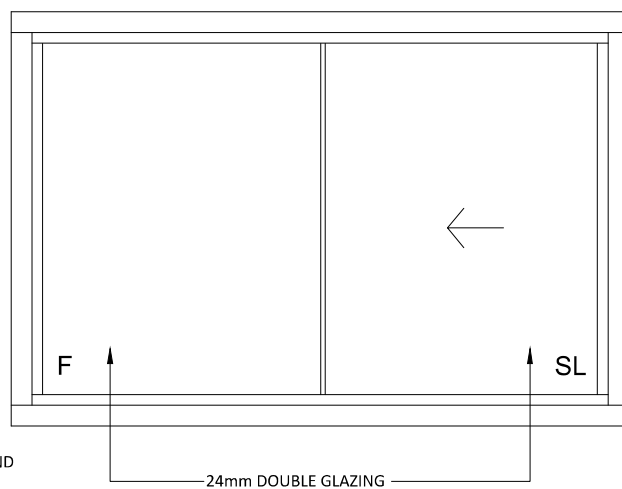
Scale 1 : 2

Head Detail

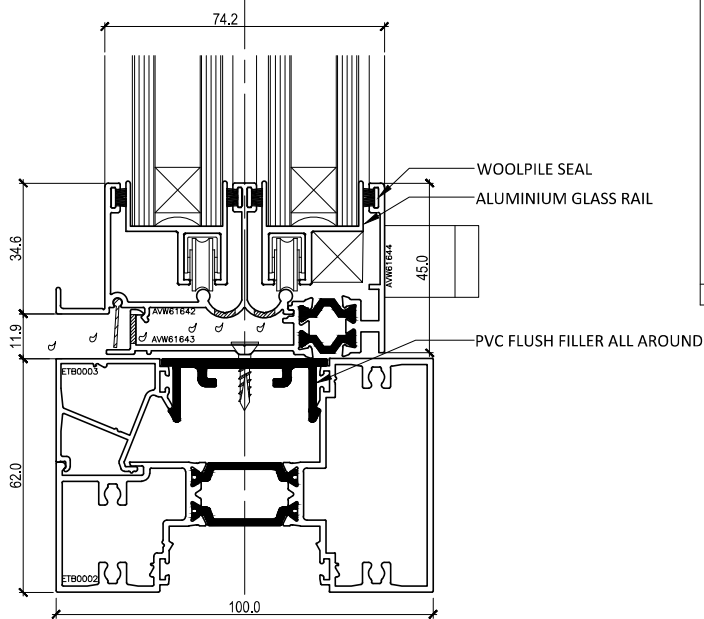


OUTSIDE

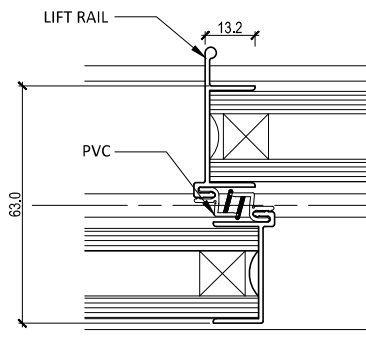
Typical Elevation (External)



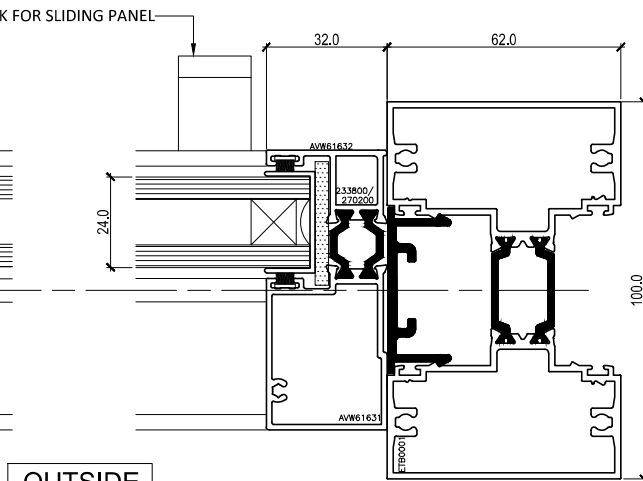
Sill Detail



Ø19 KEYED LOCK FOR SLIDING PANEL



Interlock Detail



OUTSIDE

Jamb Detail